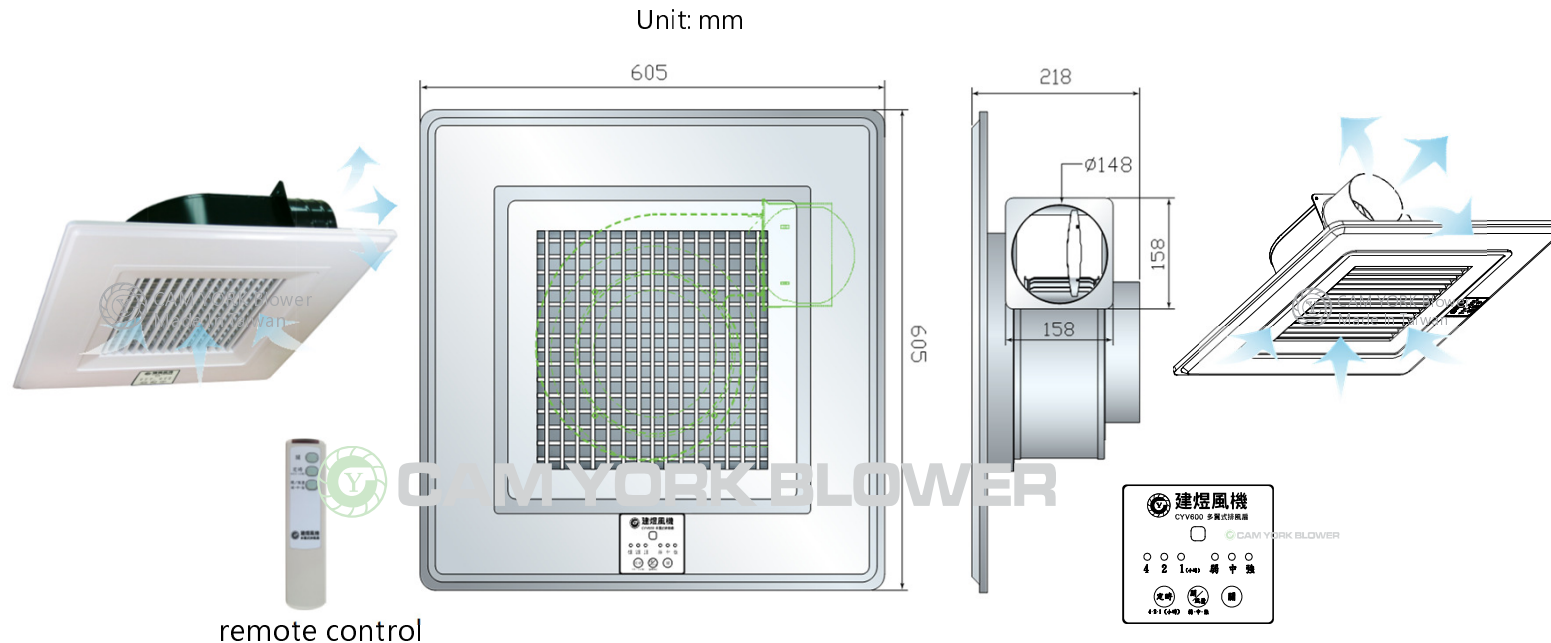


CYV600 Specification Sheet

* Made In Taiwan



Model	Speed	Rated Voltage	Frequency	Power	Max. Pressure	Max. Air Flow	Air Outlet	Size	Noise	Weight
		V								
CYV600 (Universal type)	High	110 or 220	60	148	30	700	6" (148mm)	605x605x220	59	6.2
	Middl			115	28	480			52	
	Low			70	26	330			43	
CYV600 (Standard type)	High			70	16	500			52	
	Middl			45	15	390			45	
	Low			35	14	330			41	



CAM YORK INDUSTRIAL CO.,LTD.

No. 9, Ln. 308, Jinzhou Rd., Wufeng Dist., Taichung City
41350, Taiwan

TEL:04-23322627

FAX:04-23322629

E-mail: blower-cy@umail.hinet.net

<http://www.blower.com.tw/>