

# CYT320 Specification Sheet

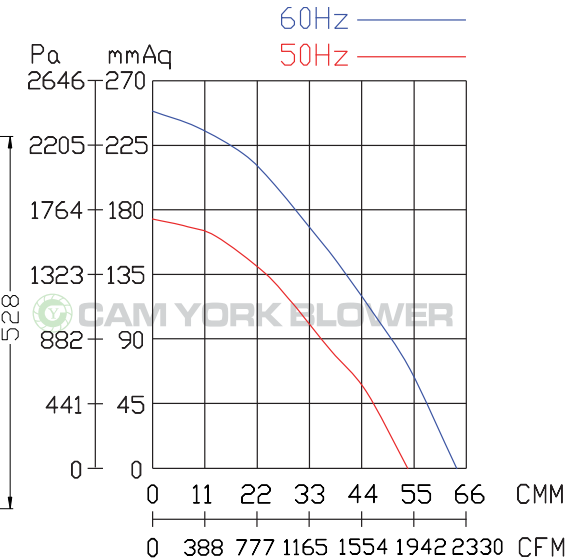
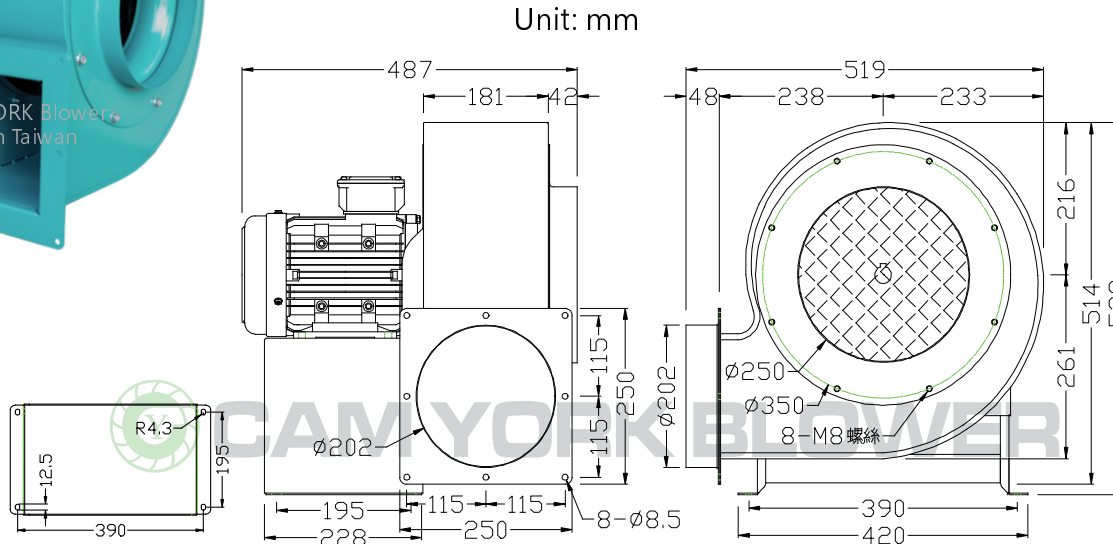
- \* Made In Taiwan
- \* Insulation Cl. : E / F
- \* Inverter Ready: 3 Phase, F, optional



CAM YORK Blower  
Made In Taiwan



8"



Model	Rated Voltage	Frequency	Phase	Pole	Current	Power	Speed	Max. Air Flow			Max. Pressure			Weight
	V							Hz	Ø	P	A	HP	R.P.M.	
CYT320	220	50	1	2	6.6	2 HP	2950	54	3240	1906	174	6.85	1706	42
		60			8.8		3450	63	3780	2224	250	9.84	2452	
	220/380	50	3	4.4 / 2.5	2950		54	3240	1906	174	6.85	1706	37	
		60		5.4 / 3.1	3500		64	3840	2259	250	9.84	2452		



CAM YORK INDUSTRIAL CO.,LTD.

No. 9, Ln. 308, Jinzhou Rd., Wufeng Dist., Taichung City  
41350, Taiwan

TEL:04-23322627

FAX:04-23322629

E-mail: [blower-cy@umail.hinet.net](mailto:blower-cy@umail.hinet.net)

<http://www.blower.com.tw/>