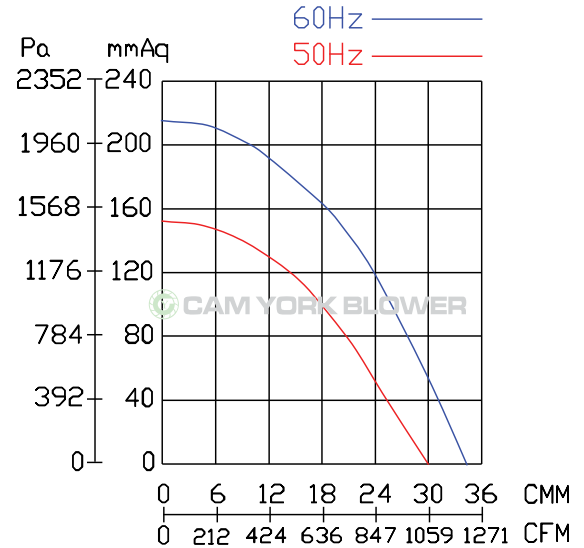
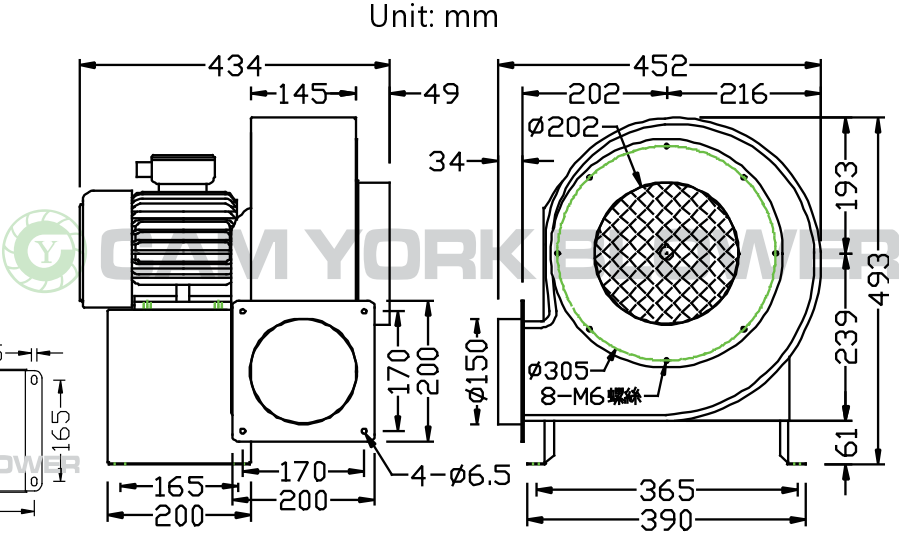
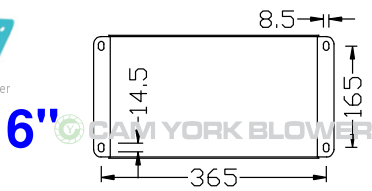


CYT285 Specification Sheet

- * Made In Taiwan
- * Insulation Cl. : E / F
- * Inverter Ready: 3 Phase, F



Model	Rated Voltage	Frequency	Phase	Pole	Current	Power	Speed	Max. Air Flow			Max. Pressure			Weight
	V	Hz	Ø	P	A	Watt/HP	R.P.M.	CMM	m3/hour	CFM	mmAq	inchAq	Pa	KG
CYT285	110/220	50	1	2	7.6 / 3.8	1 HP	2900	30	1800	1059	152	5.98	1491	29
		60			9.4 / 4.7		3500	35	2100	1236	216	8.50	2118	
	220/380	50	3		2.2 / 1.3		2900	30	1800	1059	152	5.98	1491	
		60			3 / 1.8		3500	35	2100	1236	216	8.50	2118	



CAM YORK INDUSTRIAL CO.,LTD.
 No. 9, Ln. 308, Jinzhou Rd., Wufeng Dist., Taichung City
 41350, Taiwan

TEL:04-23322627
 FAX:04-23322629
 E-mail: blower-cy@umail.hinet.net
<http://www.blower.com.tw/>