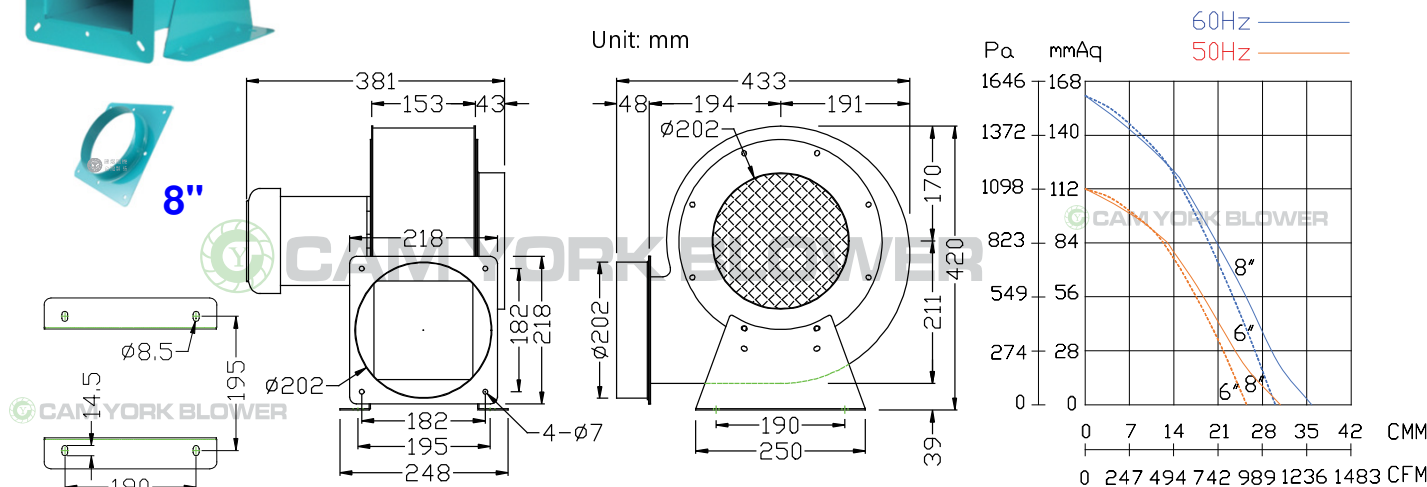


CYT250 Specification Sheet



CAM YORK Blower
Made In Taiwan

- * Made In Taiwan
- * Insulation Cl. : E / F
- * Thermostat : Single Phase
- * Inverter Ready: 3 Phase, F



Model	Rated Voltage	Frequency	Phase	Pole	Current	Power	Speed	Max. Air Flow			Max. Pressure			Weight
	V							Hz	Ø	P	A	Watt/HP	R.P.M.	
CYT250 8" Inlet 8" Outlet	110/220	50	1	2	4.4 / 2.2	1/2 HP	2900	30.8	1848	1087	111	4.37	1089	17
		60			6 / 3		3400	35.5	2130	1253	160	6.30	1569	
	220/380	50	3	1.9 / 1	2900		30.8	1848	1087	111	4.37	1089		
		60		2.1 / 1.2	3400		35.5	2130	1253	160	6.30	1569		
CYT250	8" Inlet 6" Outlet 50 / 60 Hz ==> Max air flow: 25.5 / 30 CMM, Max. Pressure: 111 / 160 mmAq													
	6" Inlet 6" Outlet 50 / 60 Hz ==> Max air flow: 20 / 24 CMM, Max. Pressure: 111 / 160 mmAq													



CAM YORK INDUSTRIAL CO.,LTD.
No. 9, Ln. 308, Jinzhou Rd., Wufeng Dist., Taichung City
41350, Taiwan

TEL:04-23322627
FAX:04-23322629
E-mail: blower-cy@umail.hinet.net
<http://www.blower.com.tw/>