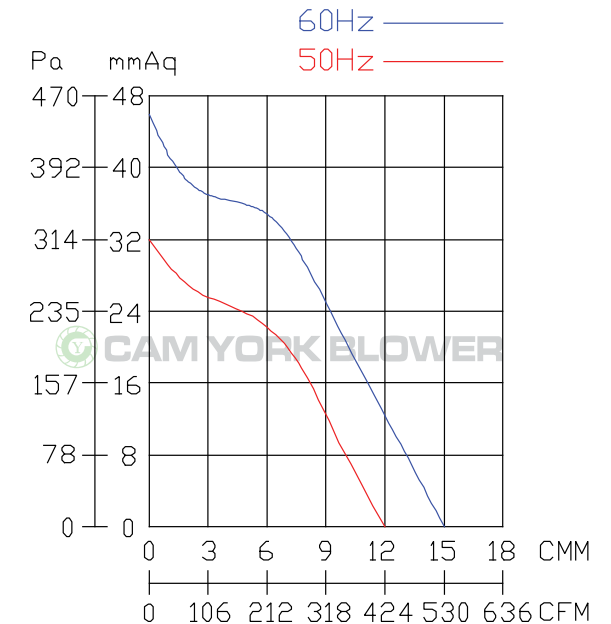
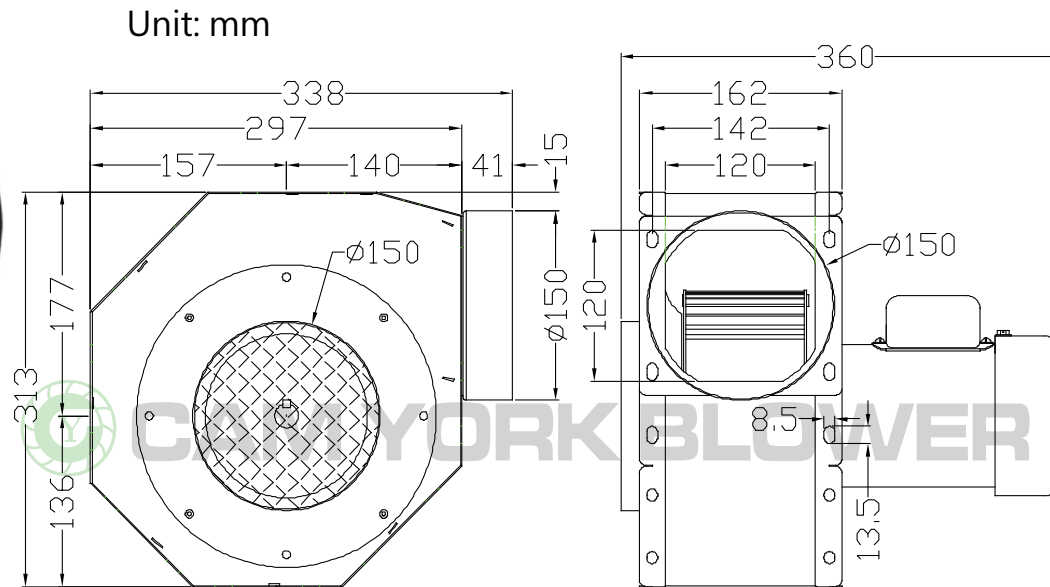


# CYS195 Specification Sheet

\* Made In Taiwan  
\* Insulation Cl. : E



CAM YORK Blower  
Made In Taiwan



Model	Rated Voltage	Frequency	Phase	Pole	Current	Power	Speed	Max. Air Flow			Max. Pressure			Weight
	V							Hz	Ø	P	A	Watt/HP	R.P.M.	
CYS195	110/220	50	1	4	3 / 1.5	1/4 HP	1460	12	720	424	32	1.26	314	11.4
		60			2.5 / 1.25		1740	15	900	530	46	1.81	451	



CAM YORK INDUSTRIAL CO.,LTD.

No. 9, Ln. 308, Jinzhou Rd., Wufeng Dist., Taichung City  
41350, Taiwan

TEL:04-23322627

FAX:04-23322629

E-mail: blower-cy@umail.hinet.net

<http://www.blower.com.tw/>