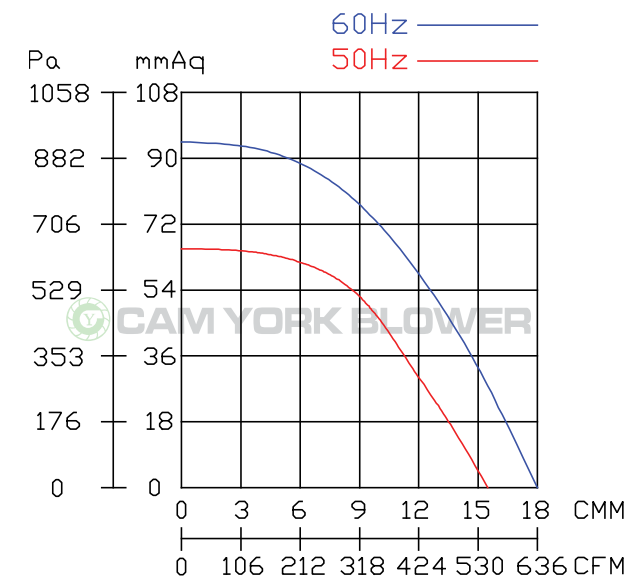
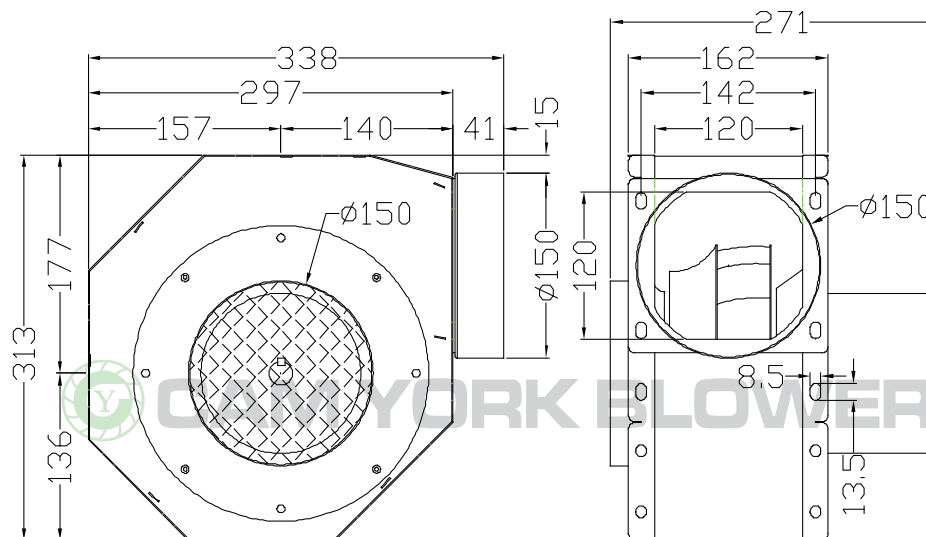


CYS190 Specification Sheet

- * Made In Taiwan
- * Insulation Cl. : E
- * 2 Speed: Optional



Unit: mm



2 Speed motor available

Model	Rated Voltage	Frequency	Phase	Pole	Current	Power	Speed	Max. Air Flow			Max. Pressure			Weight
	V							Hz	Ø	P	A	Watt/HP	R.P.M.	
CYS190	110/220	50	1	2	3.8 / 1.9	1/2 HP	2900	15.5	930	547	66	2.60	647	10.4
		60			4.4 / 2.2									



CAM YORK INDUSTRIAL CO.,LTD.

No. 9, Ln. 308, Jinzhou Rd., Wufeng Dist., Taichung City
41350 , Taiwan

TEL:04-23322627

FAX:04-23322629

E-mail: blower-cy@umail.hinet.net

<http://www.blower.com.tw/>