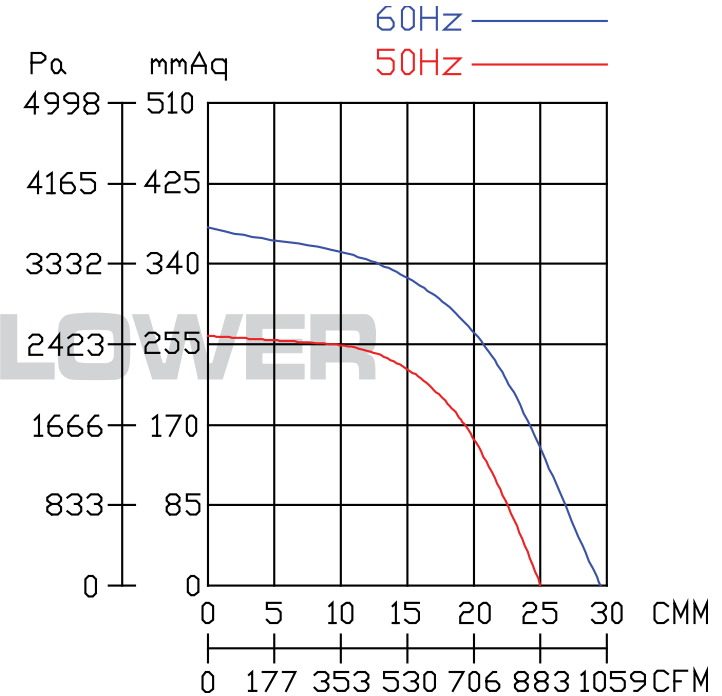
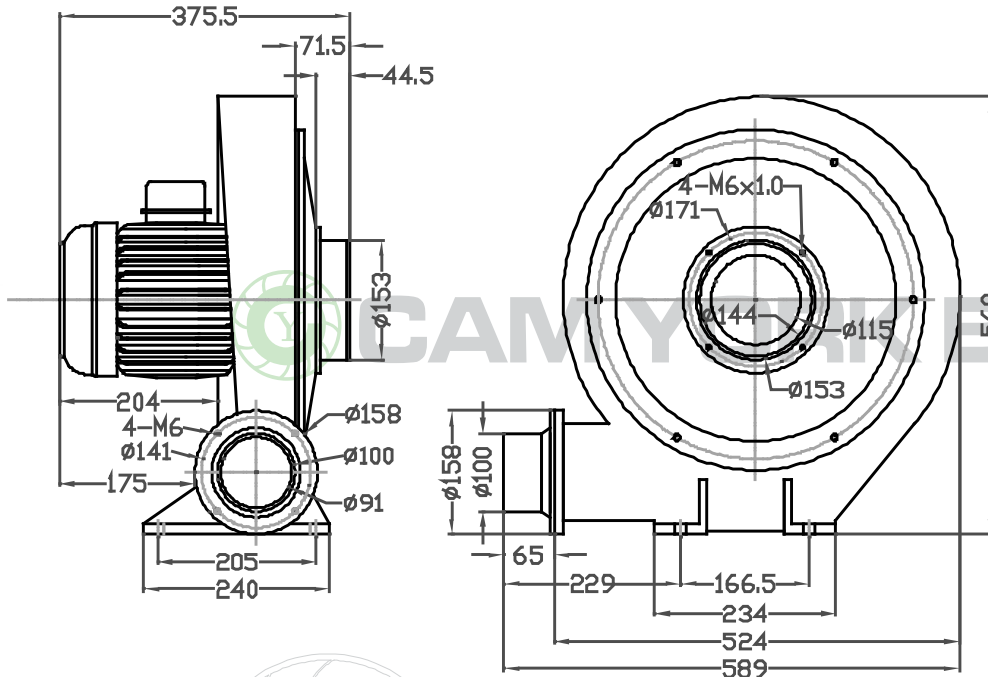


CYH9 Specification Sheet

Made In Taiwan



Model	Impeller Type	Outlet	Phase	Pole	Power	Rated Voltage	Frequency	Current	Speed	Max. Air Flow			Max. Pressure			Net Weight
		mm								CMM	m3/h	CFM	mmAq	inchAq	Pa	
CYH9	Turbo	100	3	2	3	220/380	50	5 / 3	2870	25	1500	883	261	10.32	2560	48
							60	7.5 / 4.4	3300	29	1740	1024	376	14.86	3687	



CAM YORK INDUSTRIAL CO.,LTD.

NO.63 Jifeng Rd., Wufeng Dist., Taichung City 413, Taiwan.

TEL:04-23322627

FAX:04-23322629

E-mail: blower-cy@umail.hinet.net

<http://www.blower.com.tw/>