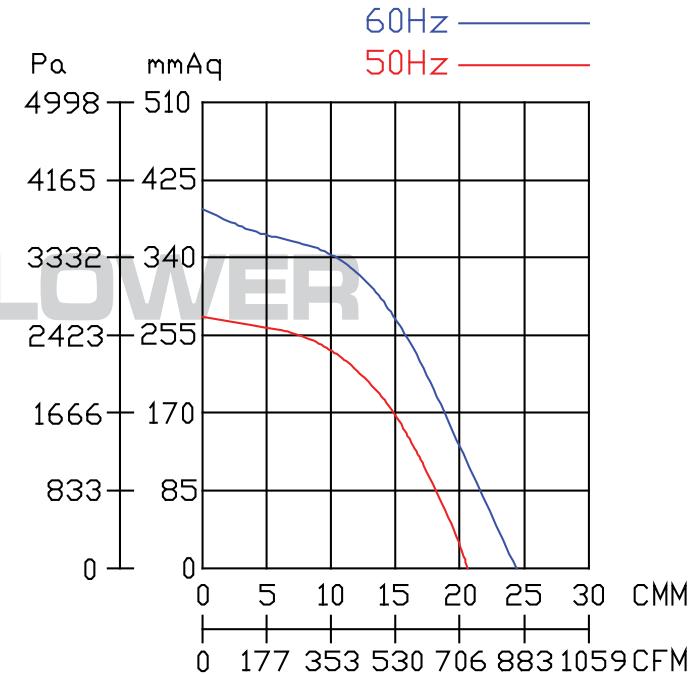
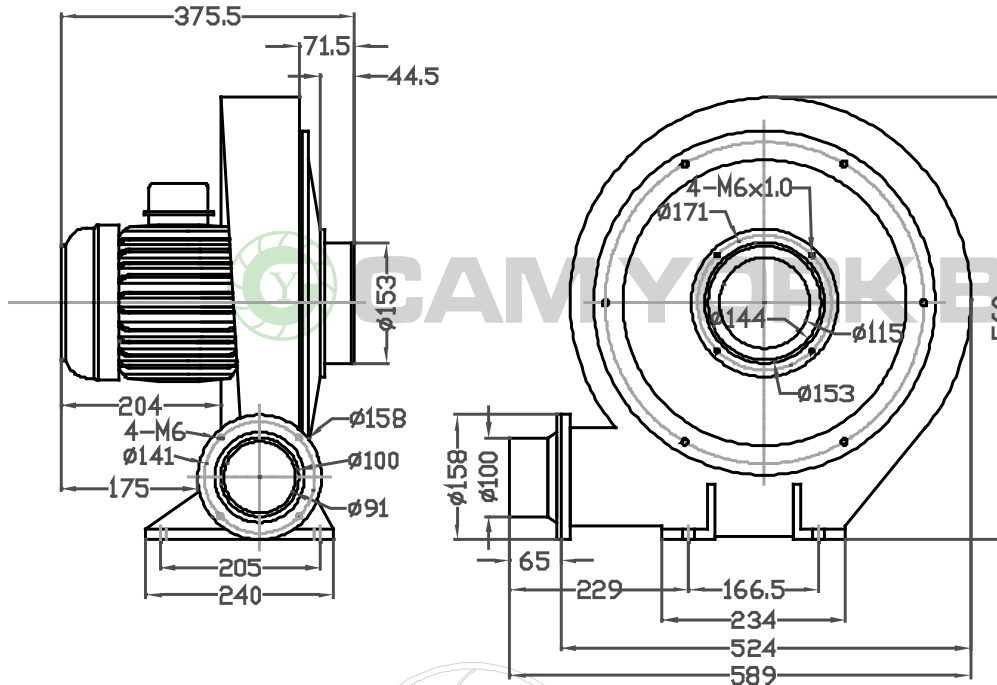


CYH8 Specification Sheet

Made In Taiwan



Model	Impeller Type	Outlet	Phase	Pole	Power	Rated Voltage	Frequency	Current	Speed	Max. Air Flow			Max. Pressure			Net Weight
		mm								CMM	m3/h	CFM	mmAq	inchAq	Pa	
CYH8	Turbo	100	3	2	2	220/380	50	4.8 / 2.8	2870	21	1260	741	276	10.91	2707	42
							60	6 / 4	3300	24	1440	847	392	15.49	3844	



CAM YORK INDUSTRIAL CO.,LTD.

NO.63 Jifeng Rd., Wufeng Dist., Taichung City 413, Taiwan.

TEL:04-23322627

FAX:04-23322629

E-mail: blower-cy@umail.hinet.net

<http://www.blower.com.tw/>