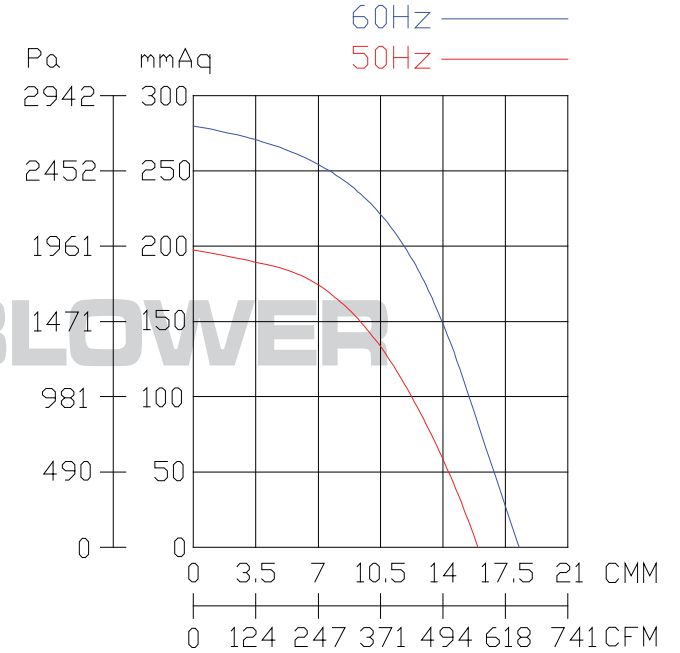
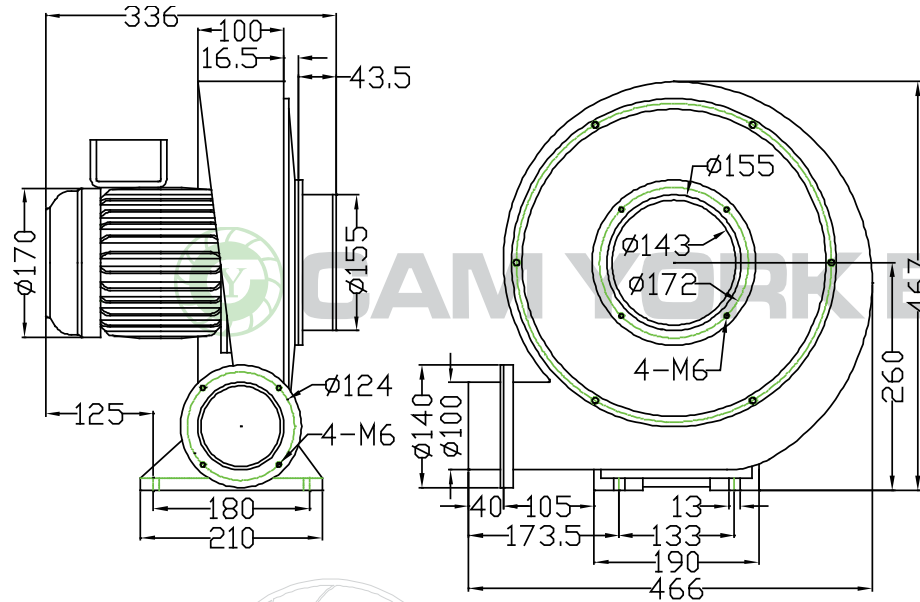


CYH6 Specification Sheet

Made In Taiwan



Model	Impeller Type	Outlet	Phase	Pole	Power	Rated Voltage	Frequency	Current	Speed	Max. Air Flow			Max. Pressure			Net Weight
		mm	Ø	P	HP	V	Hz	A	r.p.m.	CMM	m3/h	CFM	mmAq	inchAq	Pa	KG
CYH6	Turbo	100	3	2	1	220/380	50	2.8 / 1.6	2850	16	960	565	200	7.91	1960	26
							60	3.7 / 2.2	3250	19	1140	671	280	11.07	2744	



CAM YORK INDUSTRIAL CO.,LTD.

NO.63 Jifeng Rd., Wufeng Dist., Taichung City 413, Taiwan.

TEL:04-23322627

FAX:04-23322629

E-mail: blower-cy@umail.hinet.net

<http://www.blower.com.tw/>