

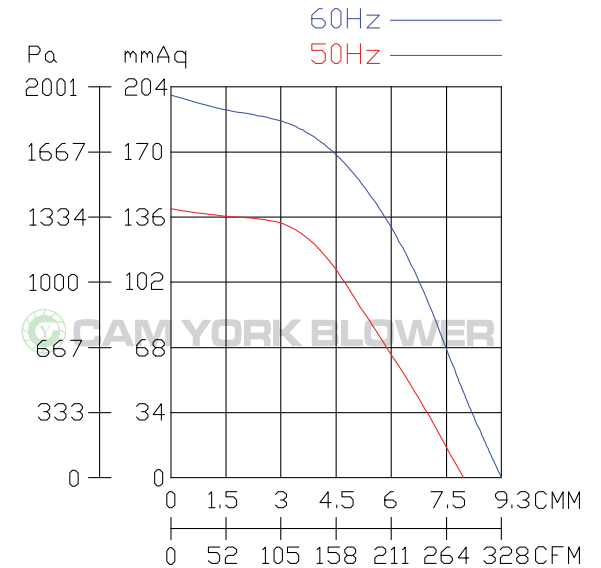
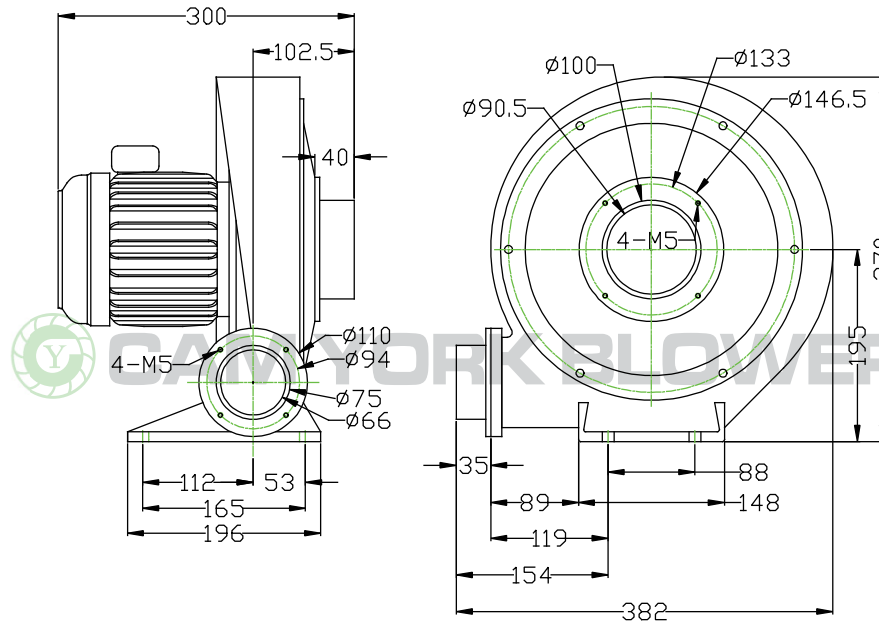
CYH5 Specification Sheet

CYH5

Made In Taiwan



Unit: mm



Model	Impeller Type	Outlet	Phase	Pole	Power	Rated Voltage	Frequency	Current	Speed	Max. Air Flow			Max. Pressure			Net Weight
		mm								CMM	m3/h	CFM	mmAq	inchAq	Pa	
CYH5	Turbo	75	3	2	1/2	220/380	50	1 / 0.6	2850	8	480	282	140	5.53	1372	15
							60	1.6 / 0.9	3250	9.3	558	328	200	7.91	1960	



CAM YORK INDUSTRIAL CO.,LTD.

No. 9, Ln. 308, Jinzhou Rd., Wufeng Dist., Taichung City
41350, Taiwan

TEL:04-23322627

FAX:04-23322629

E-mail: blower-cy@umail.hinet.net

<http://www.blower.com.tw/>