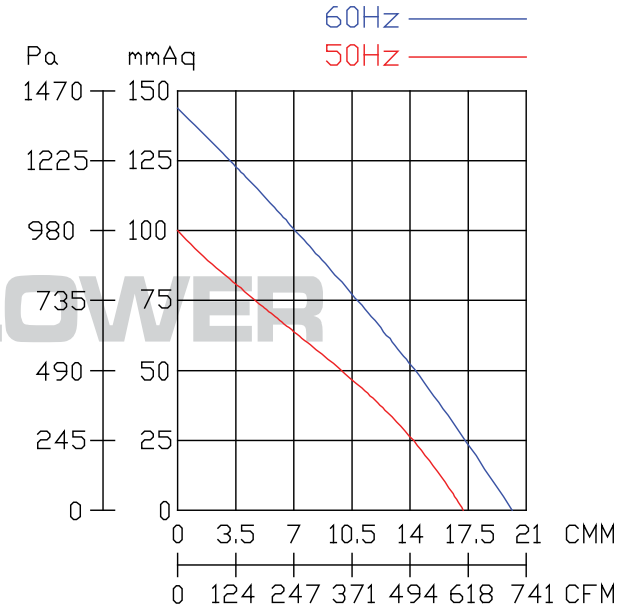
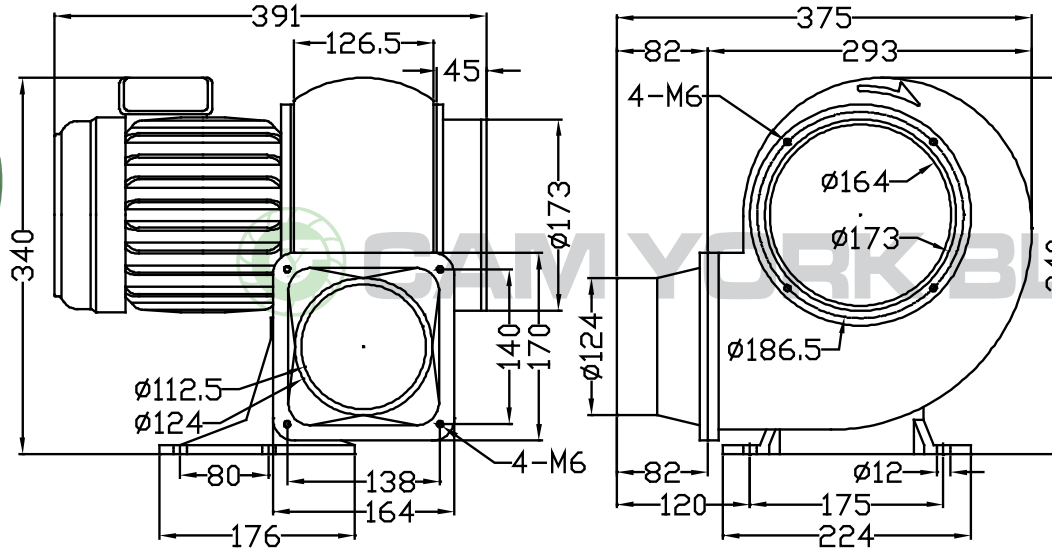


CYH4 Specification Sheet

Made In Taiwan



Model	Impeller Type	Outlet	Phase	Pole	Power	Rated Voltage	Frequency	Current	Speed	Max. Air Flow			Max. Pressure			Net Weight
		mm	Ø	P	HP	V	Hz	A	r.p.m.	CMM	m3/h	CFM	mmAq	inchAq	Pa	KG
CYH4	Multi-blade	125	3	2	1	220/380	50	2.6 / 1.5	2870	17	1020	600	100	3.95	980	20
							60	3.4 / 2.0	3300	20	1200	706	143	5.65	1401	



CAM YORK INDUSTRIAL CO.,LTD.
 NO.63 Jifeng Rd., Wufeng Dist., Taichung City 413, Taiwan.

TEL:04-23322627
 FAX:04-23322629
 E-mail: blower-cy@umail.hinet.net
<http://www.blower.com.tw/>