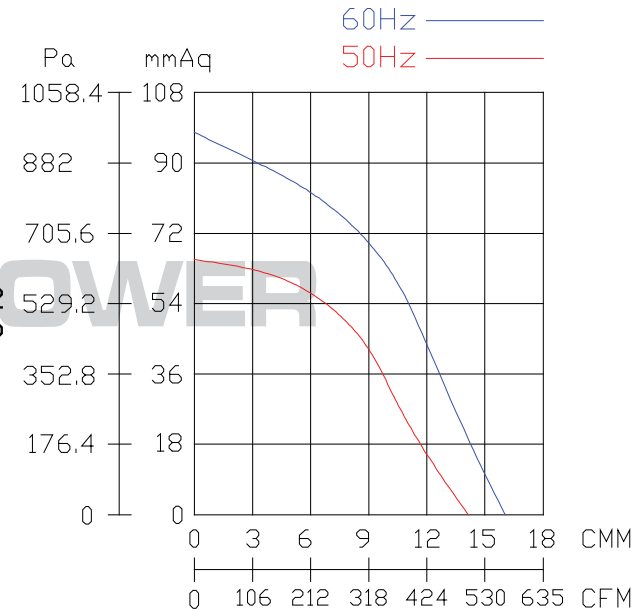
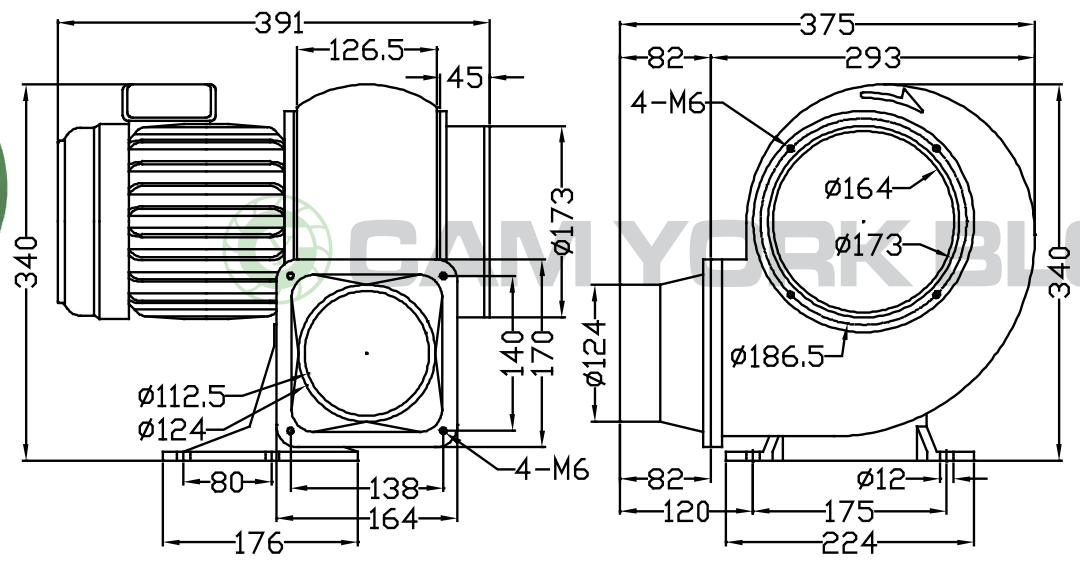


CYH4 Specification Sheet

Made In Taiwan



| Model | Impeller Type | Outlet | Phase | Pole | Power | Rated Voltage | Frequency | Current | Speed | Max. Air Flow | | | Max. Pressure | | | Net Weight |
|-------|---------------|--------|-------|------|-------|---------------|-----------|-----------|--------|---------------|-------------------|-----|---------------|--------|-----|------------|
| | | mm | Ø | P | HP | V | Hz | A | r.p.m. | CMM | m ³ /h | CFM | mmAq | inchAq | Pa | KG |
| CYH4 | Multi-blade | 125 | 3 | 2 | 1/2 | 220/380 | 50 | 1 / 0.6 | 2850 | 13 | m ³ /h | 459 | 67 | 2.65 | 657 | 18 |
| | | | | | | | 60 | 1.4 / 0.8 | 3300 | 15 | 900 | 530 | 95 | 3.75 | 931 | |
| | Turbo | | | | | | 50 | 1 / 0.5 | 2880 | 14 | 840 | 494 | 67 | 2.65 | 657 | |
| | | | | | | | 60 | 1.3 / 0.7 | 3350 | 16 | 960 | 565 | 95 | 3.75 | 931 | |



CAM YORK INDUSTRIAL CO.,LTD.
 NO.63 Jifeng Rd., Wufeng Dist., Taichung City 413, Taiwan.

TEL:04-23322627
 FAX:04-23322629
 E-mail: blower-cy@umail.hinet.net
<http://www.blower.com.tw/>