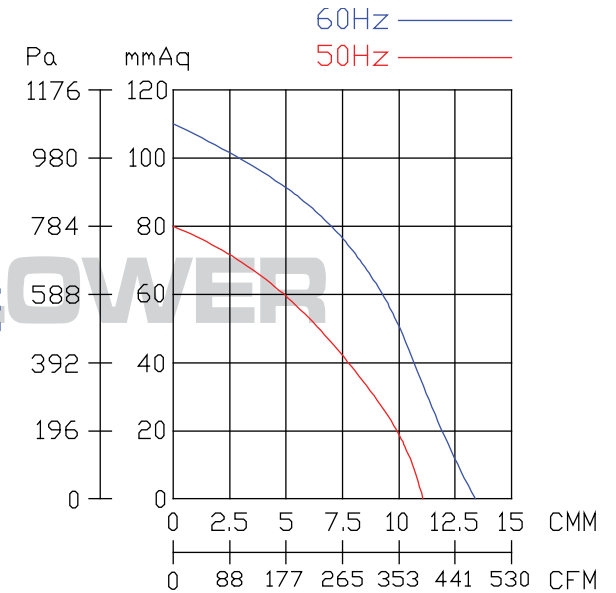
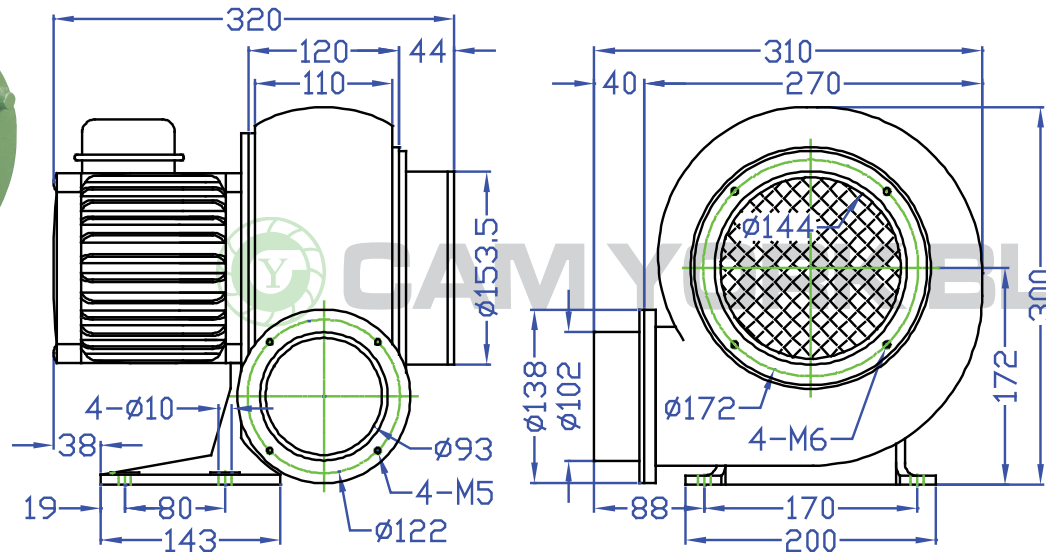


# CYH3 Specification Sheet

Made In Taiwan



Model	Impeller Type	Outlet	Phase	Pole	Power	Rated Voltage	Frequency	Current	Speed	Max. Air Flow			Max. Pressure			Net Weight
		mm	Ø	P	HP	V	Hz	A	r.p.m.	CMM	m3/h	CFM	mmAq	inchAq	Pa	KG
CYH3	Multi-blade	100	3	2	1/2	220/380	50	1.2 / 0.6	2900	13	780	459	51	2.02	500	12.8
							60	1.6 / 0.8	3450	15	900	530	74	2.92	725	
	Turbo					220/380	50	1 / 0.5	2900	11	660	388	78	3.08	764	13
							60	1.2 / 0.6	3400	13	780	459	110	4.35	1078	



CAM YORK INDUSTRIAL CO.,LTD.

NO.63 Jifeng Rd., Wufeng Dist., Taichung City 413, Taiwan.

TEL:04-23322627

FAX:04-23322629

E-mail: [blower-cy@umail.hinet.net](mailto:blower-cy@umail.hinet.net)

<http://www.blower.com.tw/>