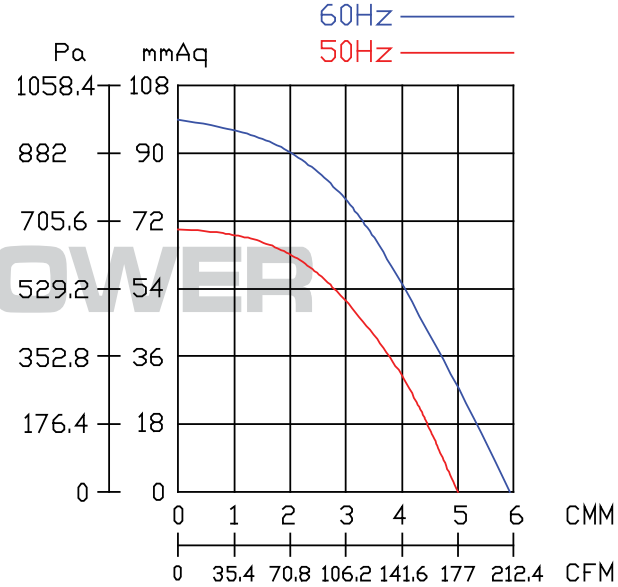
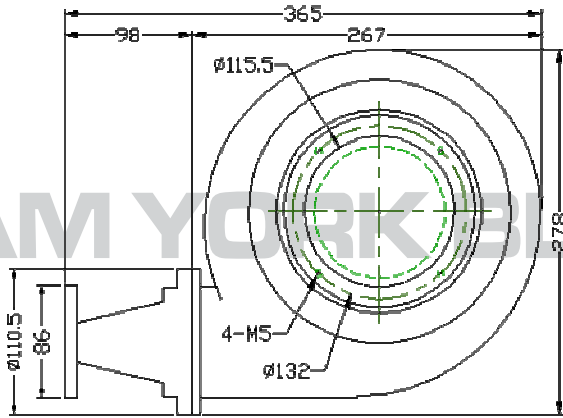
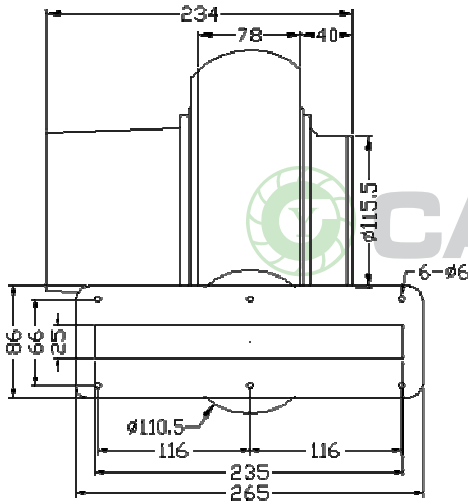


CYH2C Specification Sheet

Made In Taiwan



Model	Impeller Type	Outlet mm	Phase Ø	Pole P	Power HP	Rated Voltage V	Frequency Hz	Current A	Speed r.p.m.	Max. Air Flow			Max. Pressure			Net Weight KG
										CMM	m3/h	CFM	mmAq	inchAq	Pa	
CYH2C	Turbo	75	3	2	1/4	220/380	50	0.6 / 0.35	2850	5	300	177	70	2.77	686	8
							60	0.6 / 0.35	3350	6	360	212	100	3.95	980	



CAM YORK INDUSTRIAL CO.,LTD.
NO.63 Jifeng Rd., Wufeng Dist., Taichung City 413, Taiwan.

TEL:04-23322627
FAX:04-23322629
E-mail: blower-cy@umail.hinet.net
<http://www.blower.com.tw/>