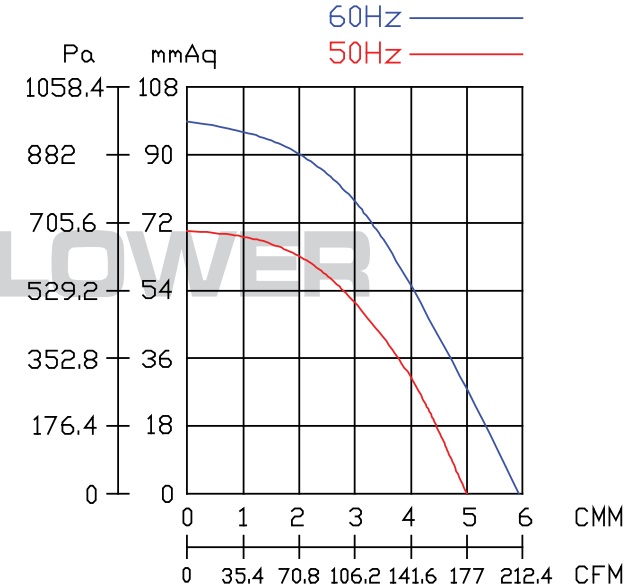
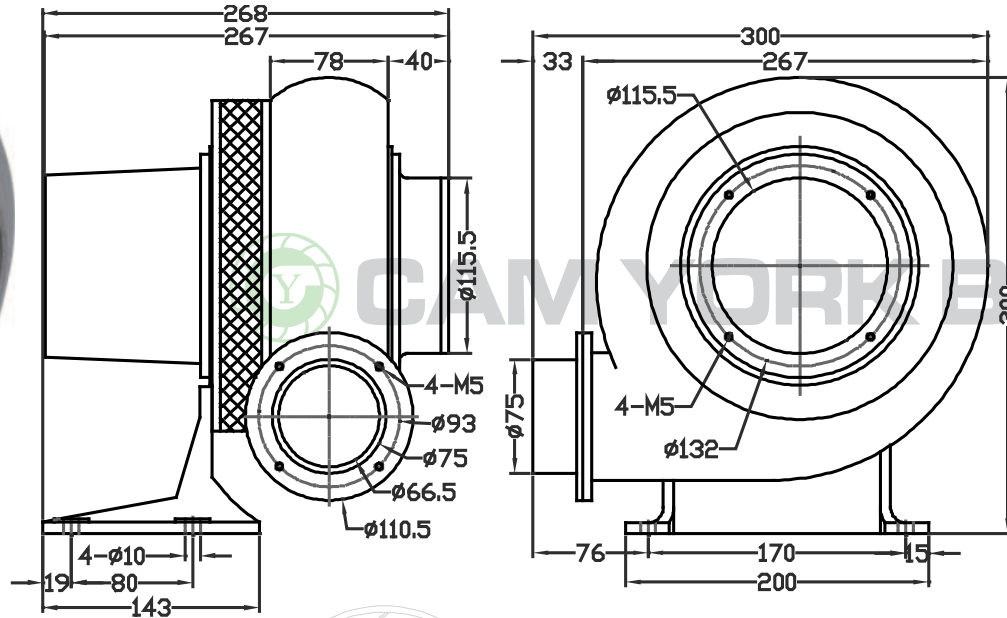


# CYH2B Specification Sheet

Made In Taiwan



Model	Impeller Type	Outlet	Phase	Pole	Power	Rated Voltage	Frequency	Current	Speed	Max. Air Flow			Max. Pressure			Net Weight
		mm								Ø	P	HP	V	Hz	A	
CYH2B	Turbo	75	3	2	1/4	220/380	50	0.6 / 0.35	2850	5	300	177	70	2.77	686	8
							60	0.6 / 0.35	3350	6	360	212	100	3.95	980	



CAM YORK INDUSTRIAL CO.,LTD.

NO.63 Jifeng Rd., Wufeng Dist., Taichung City 413, Taiwan.

TEL:04-23322627

FAX:04-23322629

E-mail: blower-cy@umail.hinet.net

http://www.blower.com.tw/