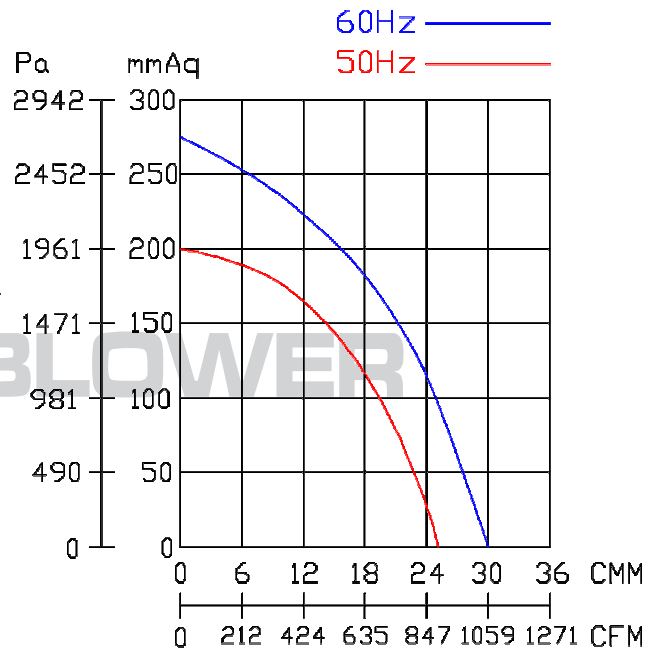
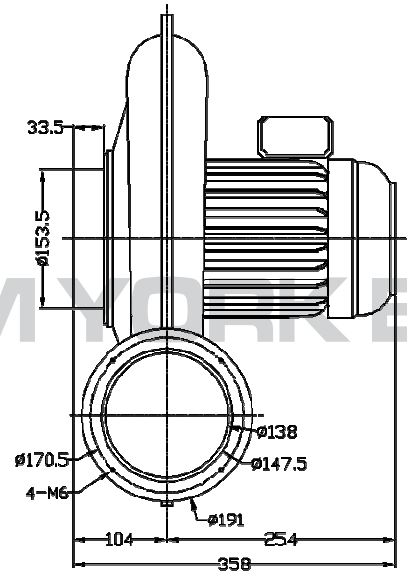
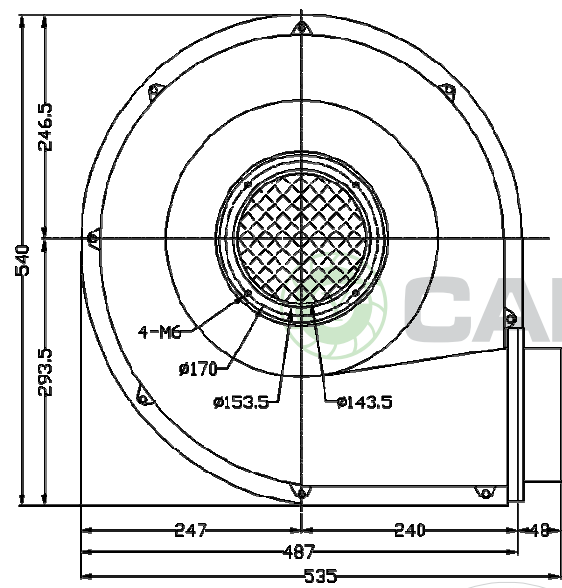


CYH202 Specification Sheet

Made In Taiwan

CYH202



Model	Impeller Type	Outlet mm	Phase ϕ	Pole P	Power HP	Rated Voltage V	Frequency Hz	Current A	Speed r.p.m.	Max. Air Flow			Max. Pressure			Net Weight KG
										CMM	m3/h	CFM	mmAq	inchAq	Pa	
CYH202	Turbo	150	3	2	1	220/380	50	2.7	2870	25	1500	883	200	7.91	1960	24
							60	4.2	3260	30	1800	1059	275	10.87	2695	



CAM YORK INDUSTRIAL CO.,LTD.
 NO.63 Jifeng Rd., Wufeng Dist., Taichung City 413, Taiwan.

TEL:04-23322627
 FAX:04-23322629
 E-mail: blower-cy@umail.hinet.net
<http://www.blower.com.tw/>