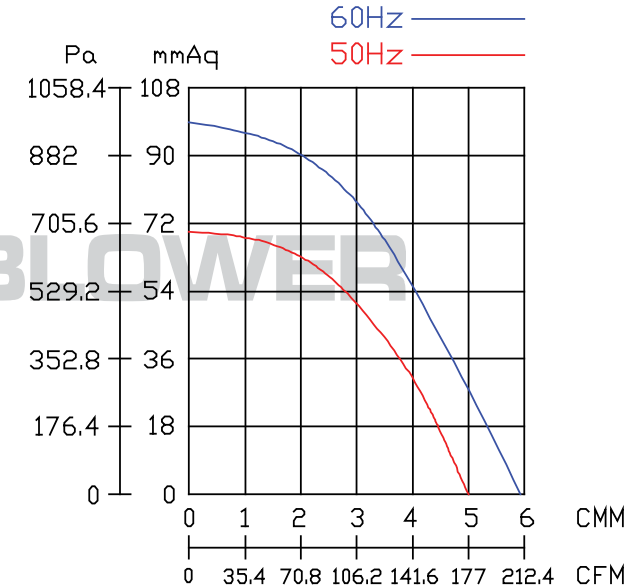
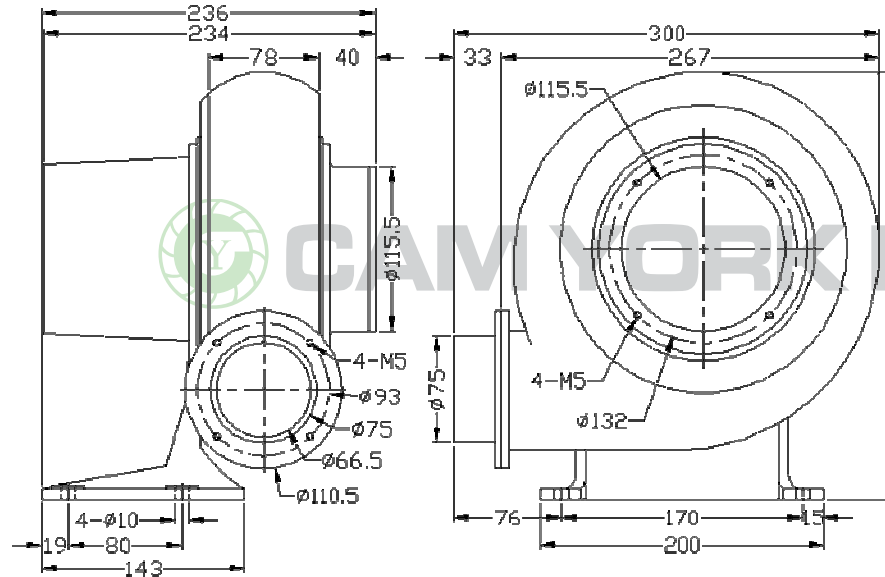


# CYH2 Specification Sheet

Made In Taiwan



CAM YORK Blower  
Made In Taiwan



Model	Impeller Type	Outlet	Phase	Pole	Power	Rated Voltage	Frequency	Current	Speed	Max. Air Flow			Max. Pressure			Net Weight
		mm	Ø	P	HP	V	Hz	A	r.p.m.	CMM	m3/h	CFM	mmAq	inchAq	Pa	KG
CYH2	Turbo	75	3	2	1/4	220/380	50	0.6 / 0.35	2850	5	300	177	70	2.77	686	8
							60	0.6 / 0.35	3350	6	360	212	100	3.95	980	



CAM YORK INDUSTRIAL CO.,LTD.

NO.63 Jifeng Rd., Wufeng Dist., Taichung City 413, Taiwan.

TEL:04-23322627

FAX:04-23322629

E-mail: [blower-cy@umail.hinet.net](mailto:blower-cy@umail.hinet.net)

<http://www.blower.com.tw/>