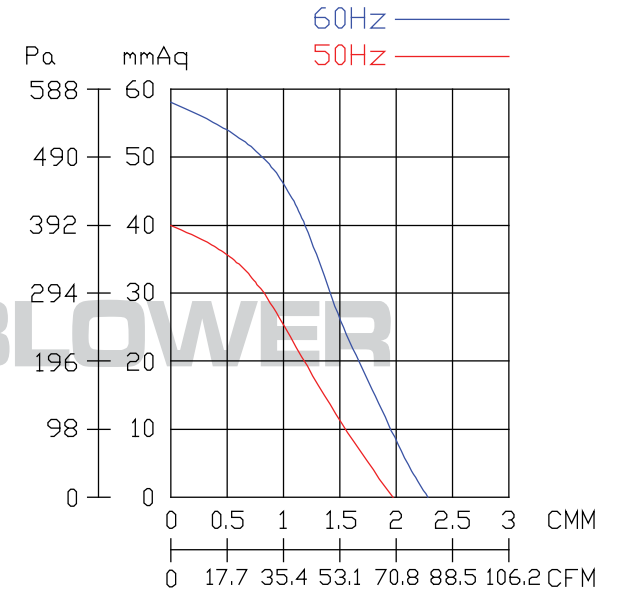
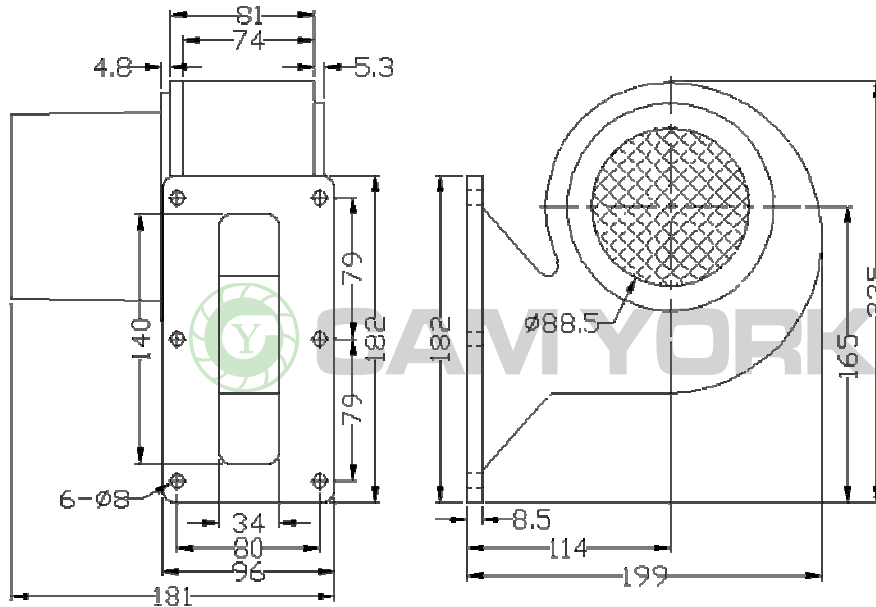


CYH1 A Specification Sheet

Made In Taiwan



CAM YORK Blower
Made In Taiwan



| Model | Impeller Type | Outlet mm | Phase Ø | Pole P | Power HP | Rated Voltage V | Frequency Hz | Current A | Speed r.p.m. | Max. Air Flow | | | Max. Pressure | | | Net Weight KG |
|--------|---------------|-----------|---------|---------|----------|-----------------|--------------|------------|--------------|---------------|------|------|---------------|--------|-----|---------------|
| | | | | | | | | | | CMM | m3/h | CFM | mmAq | inchAq | Pa | |
| CYH1 A | Multi-blade | 95x180 | 3 | 2 | 1/8 | 220/380 | 50 | 0.4 / 0.25 | 2800 | 1.9 | 114 | 67 | 40 | 1.58 | 392 | 4.3 |
| | | | | | | | 60 | 0.3 / 0.2 | 3000 | 2.3 | 138 | 81 | 58 | 2.29 | 568 | |
| | | | 1 | 110/220 | 50 | 1.4 / 0.7 | 2800 | 1.9 | 114 | 67 | 40 | 1.58 | 392 | | | |
| | | | | | 60 | 1 / 0.5 | 3000 | 2.3 | 138 | 81 | 58 | 2.29 | 568 | | | |



CAM YORK INDUSTRIAL CO.,LTD.

NO.63 Jifeng Rd., Wufeng Dist., Taichung City 413, Taiwan.

TEL:04-23322627

FAX:04-23322629

E-mail: blower-cy@umail.hinet.net

http://www.blower.com.tw/