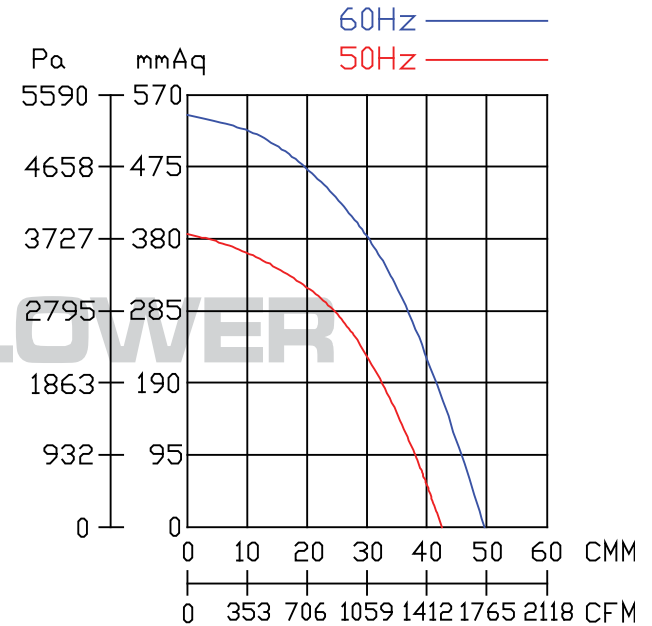
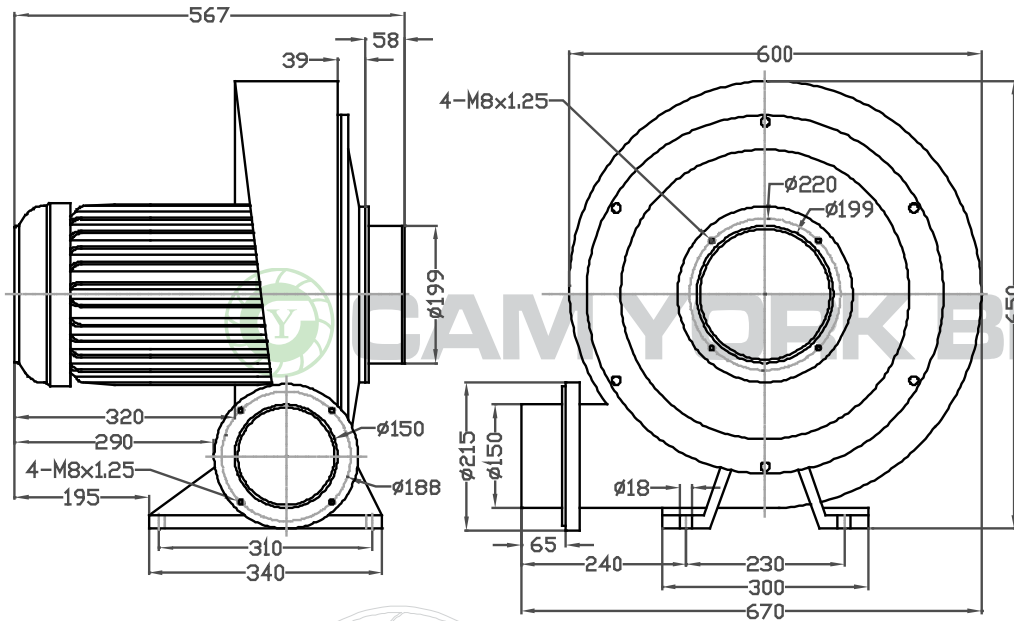


CYH11 Specification Sheet

Made In Taiwan



Model	Impeller Type	Outlet	Phase	Pole	Power	Rated Voltage	Frequency	Current	Speed	Max. Air Flow			Max. Pressure			Net Weight
		mm								CMM	m3/h	CFM	mmAq	inchAq	Pa	
CYH11	Turbo	150	3	2	7.5	220/380	50	15 / 8	2950	42	2520	1483	385	15.22	3776	96
							60	20 / 11	3450	49	2940	1730	547	21.62	5364	



CAM YORK INDUSTRIAL CO.,LTD.

NO.63 Jifeng Rd., Wufeng Dist., Taichung City 413, Taiwan.

TEL:04-23322627

FAX:04-23322629

E-mail: blower-cy@umail.hinet.net

<http://www.blower.com.tw/>