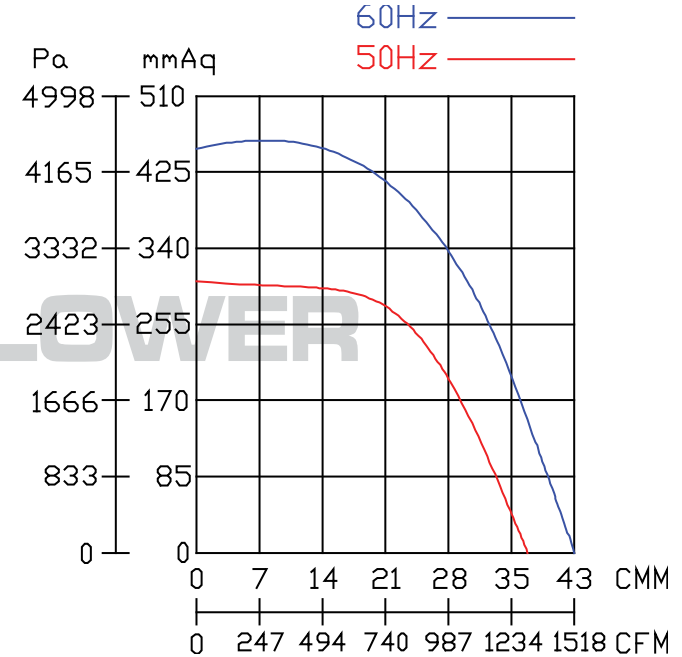
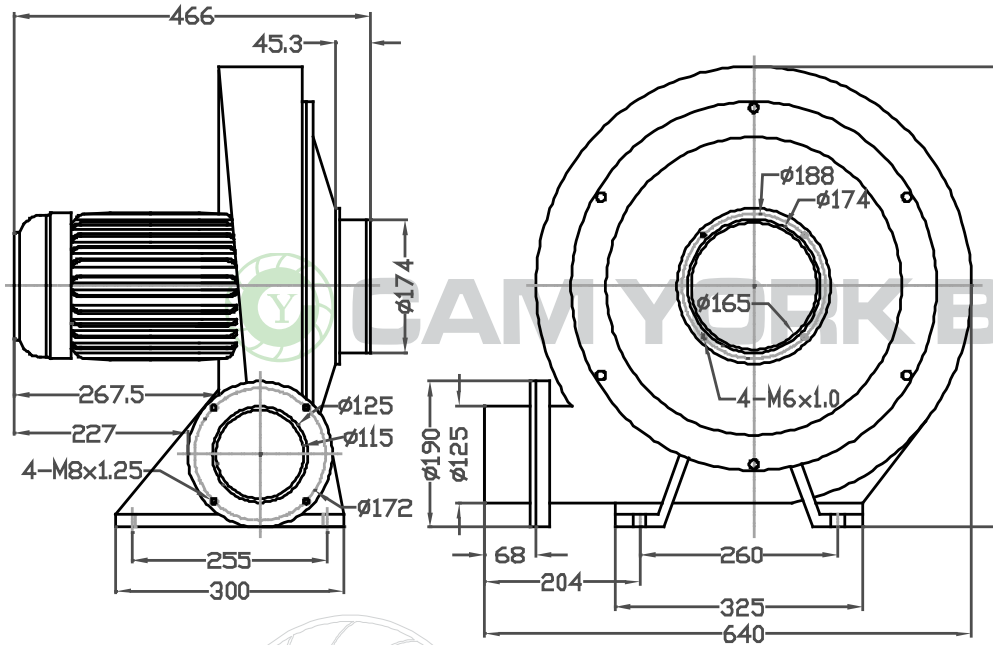


CYH10 Specification Sheet

Made In Taiwan



Model	Impeller Type	Outlet	Phase	Pole	Power	Rated Voltage	Frequency	Current	Speed	Max. Air Flow			Max. Pressure			Net Weight
		mm								CMM	m3/h	CFM	mmAq	inchAq	Pa	
CYH10	Turbo	125	3	2	5	220/380	50	11 / 6	2900	37	2220	1306	310	12.25	3040	68
							60	14 / 8	3450	43	2580	1518	447	17.67	4384	



CAM YORK INDUSTRIAL CO.,LTD.

NO.63 Jifeng Rd., Wufeng Dist., Taichung City 413, Taiwan.

TEL:04-23322627

FAX:04-23322629

E-mail: blower-cy@umail.hinet.net

<http://www.blower.com.tw/>