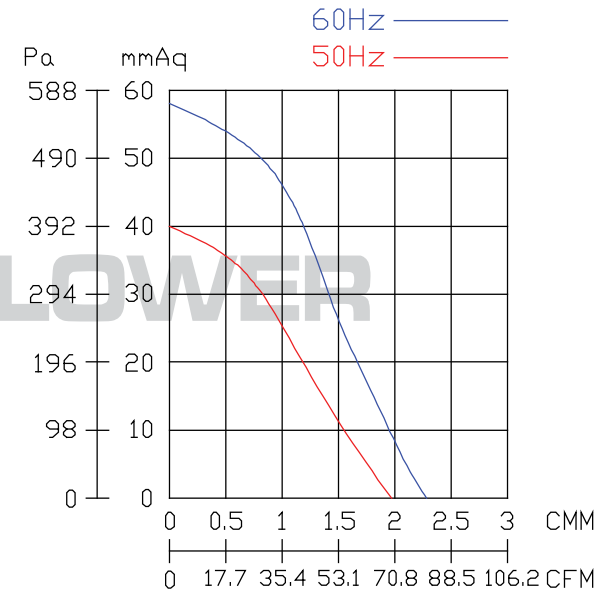
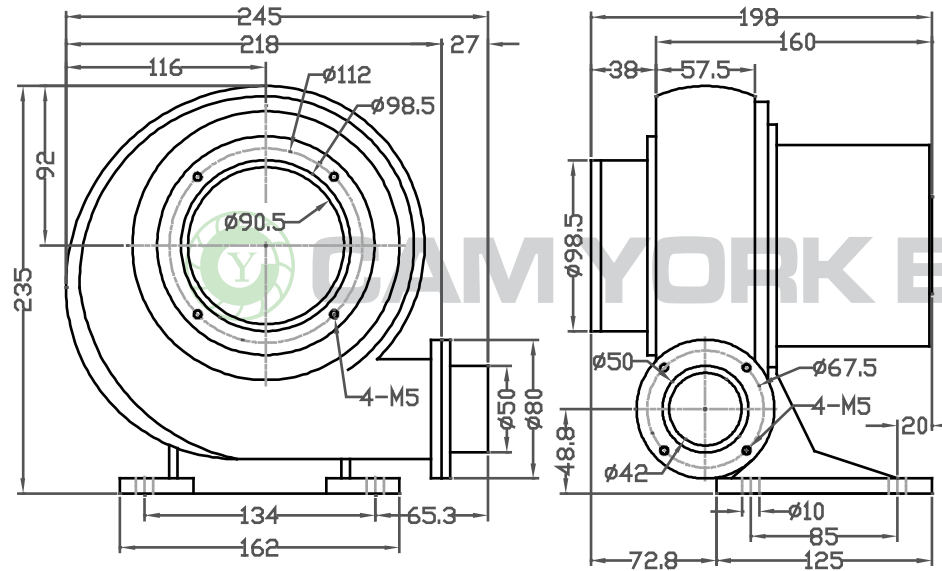


CYH1 Specification Sheet

Made In Taiwan



Model	Impeller Type	Outlet mm	Phase Ø	Pole P	Power HP	Rated Voltage V	Frequency Hz	Current A	Speed r.p.m.	Max. Air Flow			Max. Pressure			Net Weight KG
										CMM	m3/h	CFM	mmAq	inchAq	Pa	
CYH1	Turbo	50	3	2	1/8	220/380	50	0.4 / 0.25	2800	1.9	114	67	40	1.58	392	4.3
							60	0.3 / 0.2	3000	2.3	138	81	58	2.29	568	
			1			110/220	50	1.4 / 0.7	2800	1.9	114	67	40	1.58	392	
							60	1 / 0.5	3000	2.3	138	81	58	2.29	568	



CAM YORK INDUSTRIAL CO.,LTD.
 NO.63 Jifeng Rd., Wufeng Dist., Taichung City 413, Taiwan.

TEL:04-23322627
 FAX:04-23322629
 E-mail: blower-cy@umail.hinet.net
<http://www.blower.com.tw/>