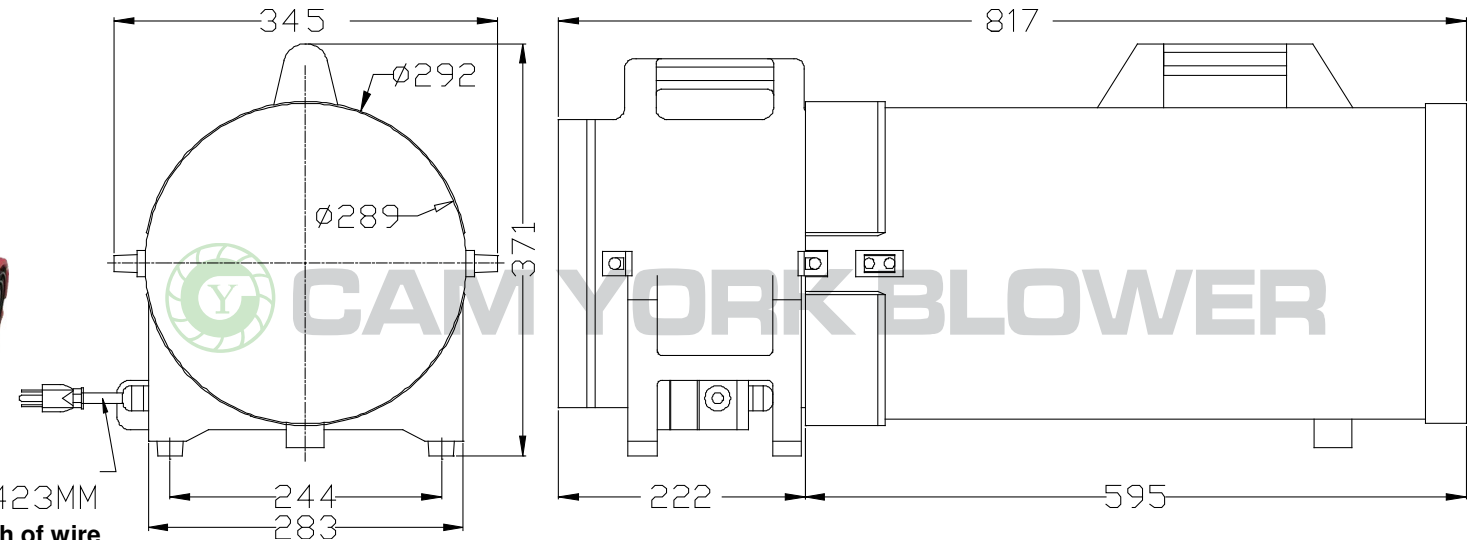


CYG203 Specification Sheet

Made In Taiwan



Model	Rated Voltage	Frequency	Phase	Pole	Current	Power	Speed	Max. Air Flow			Max. Pressure			Weight
	V							Hz	\emptyset	P	A	Watt/HP	R.P.M.	
CYG203	110	60	1	4	2.35	1/3 HP	1735	22.48	1349	794	41	1.61	402	7.7
		50	1	4	2.11		1467	18.79	1127	663	28.1	1.11	276	



CAM YORK INDUSTRIAL CO.,LTD.
 NO.63 Jifeng Rd., Wufeng Dist., Taichung City 413, Taiwan.

TEL:04-23322627
 FAX:04-23322629
 E-mail: blower-cy@umail.hinet.net
<http://www.blower.com.tw/>