

CYBP270 Specification Sheet

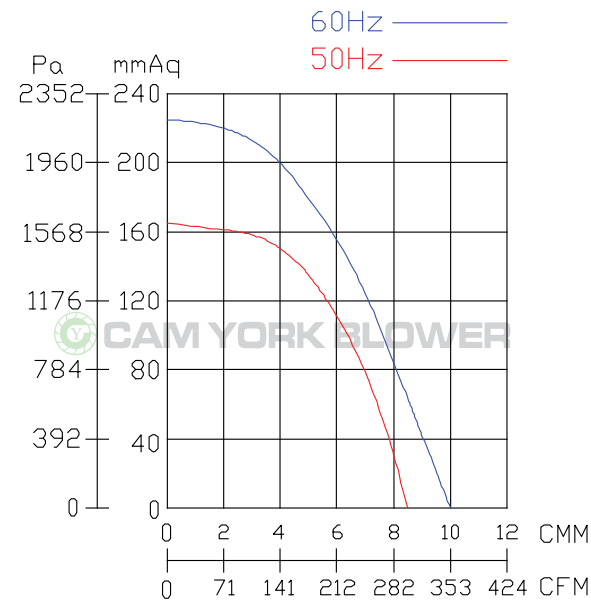
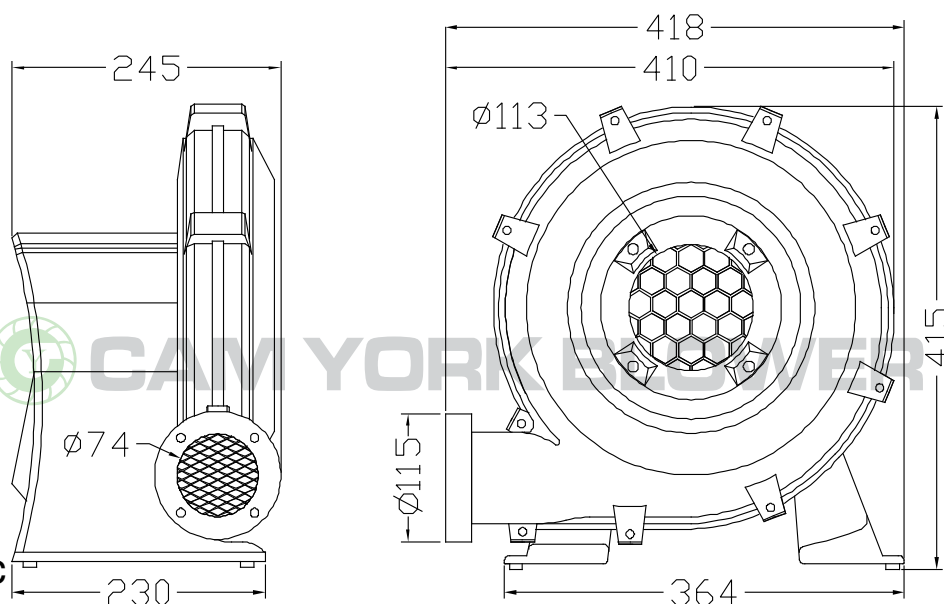
* Made In Taiwan



Unit: mm



CAM YORK Blower
Made In Taiwan



Housing Material: Plastic

Model	Rated Voltage	Frequency	Phase	Pole	Current	Power	Speed	Max. Air Flow			Max. Pressure			Weight
	V							Hz	Ø	P	A	Watt/HP	R.P.M.	
CYBP270	110/220	50	1	2	5.7 / 2.8	600 W	2850	8.5	510	300	165	6.50	1618	3.7
		60			7.8 / 3.8		3250				10	600	353	



CAM YORK INDUSTRIAL CO.,LTD.

No. 9, Ln. 308, Jinzhou Rd., Wufeng Dist., Taichung City
41350, Taiwan

TEL:04-23322627

FAX:04-23322629

E-mail: blower-cy@umail.hinet.net

<http://www.blower.com.tw/>