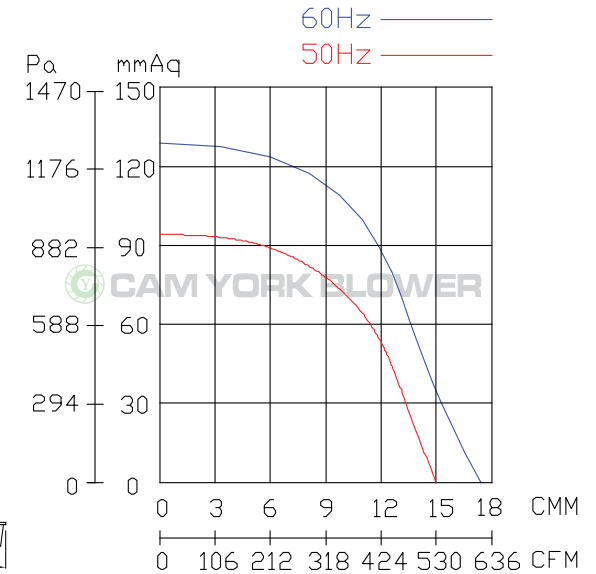
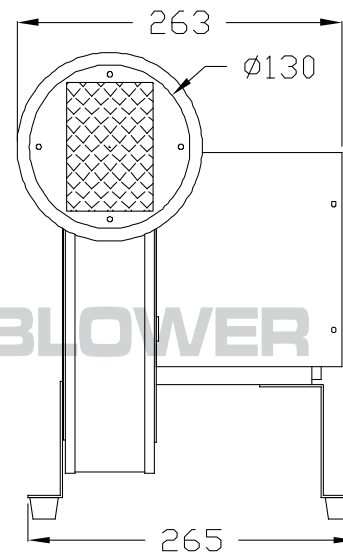
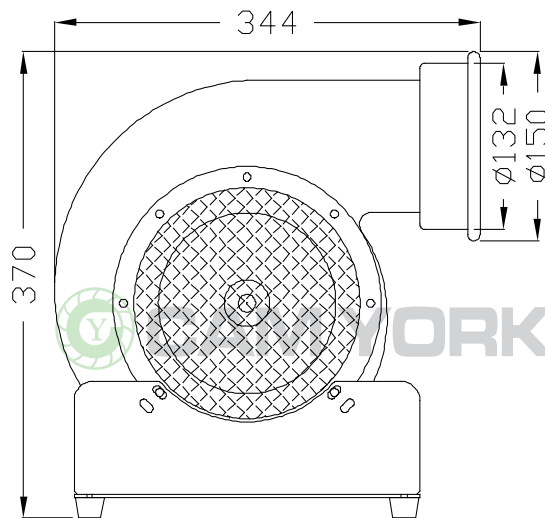


CYB180 Specification Sheet

* Made In Taiwan
* Insulation Cl. : E

Unit: mm



Model	Rated Voltage	Frequency	Phase	Pole	Current	Power	Speed	Max. Air Flow			Max. Pressure			Weight
	V							Hz	Ø	P	A	Watt/HP	R.P.M.	
CYB180	110/220	50	1	2	6 / 3	1/2 HP	2840	15	900	530	92	3.62	902	13.2
		60			8 / 4		3250	17	1020	600	130	5.12	1275	



CAM YORK INDUSTRIAL CO.,LTD.

No. 9, Ln. 308, Jinzhou Rd., Wufeng Dist., Taichung City
41350, Taiwan

TEL:04-23322627
FAX:04-23322629
E-mail: blower-cy@umail.hinet.net
<http://www.blower.com.tw/>