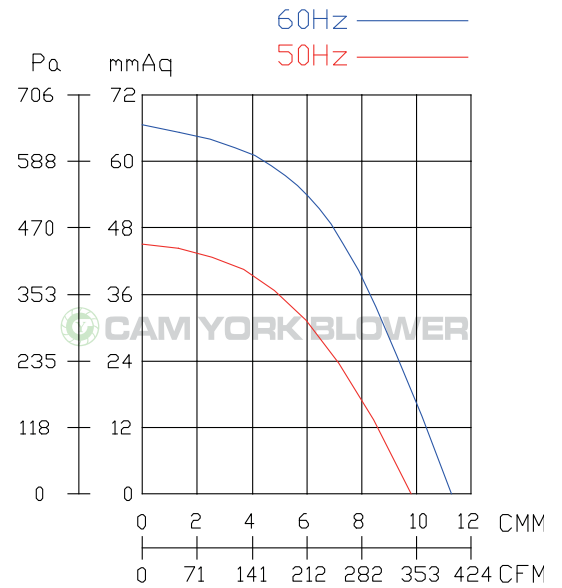
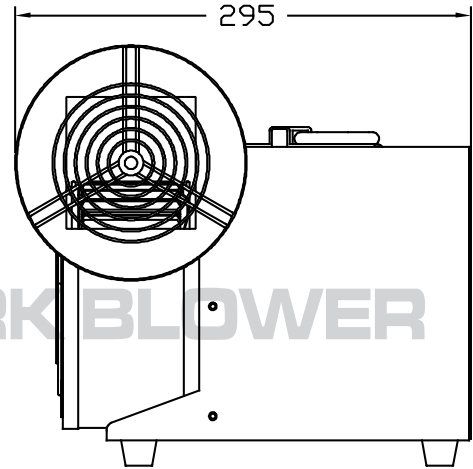
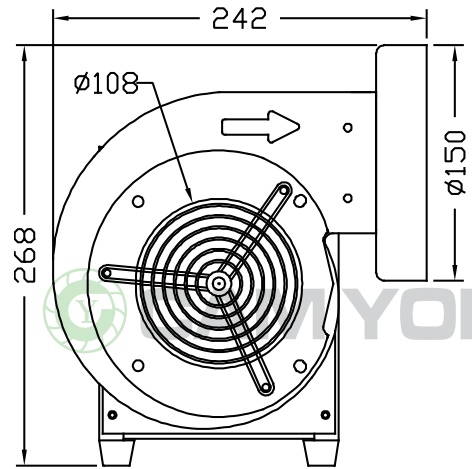


CYB125 Specification Sheet

- * Made In Taiwan
- * Insulation Cl. : F
- * Thermostat : Single Phase



Unit: mm



Model	Rated Voltage	Frequency	Phase	Pole	Current	Power	Speed	Max. Air Flow			Max. Pressure			Weight
	V							Hz	Ø	P	A	Watt/HP	R.P.M.	
CYB125	110/220	50	1	2	2.5 / 1.4	200 W	2800	9.5	570	335	46	1.81	451	7.4
		60			3.0 / 1.5									



CAM YORK INDUSTRIAL CO.,LTD.
 No. 9, Ln. 308, Jinzhou Rd., Wufeng Dist., Taichung City
 41350 , Taiwan

TEL:04-23322627
 FAX:04-23322629
 E-mail: blower-cy@umail.hinet.net
<http://www.blower.com.tw/>