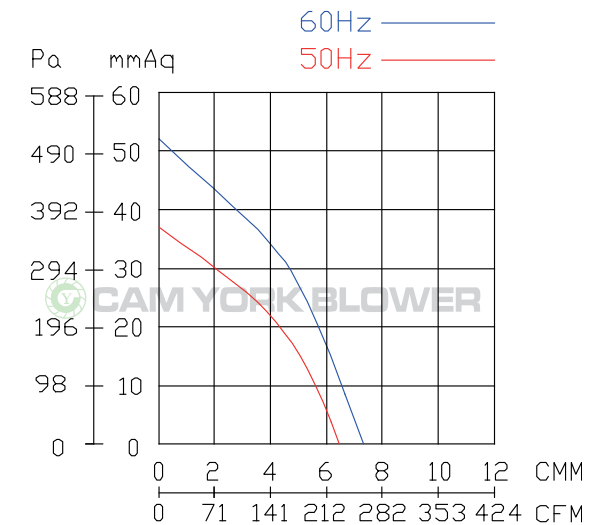
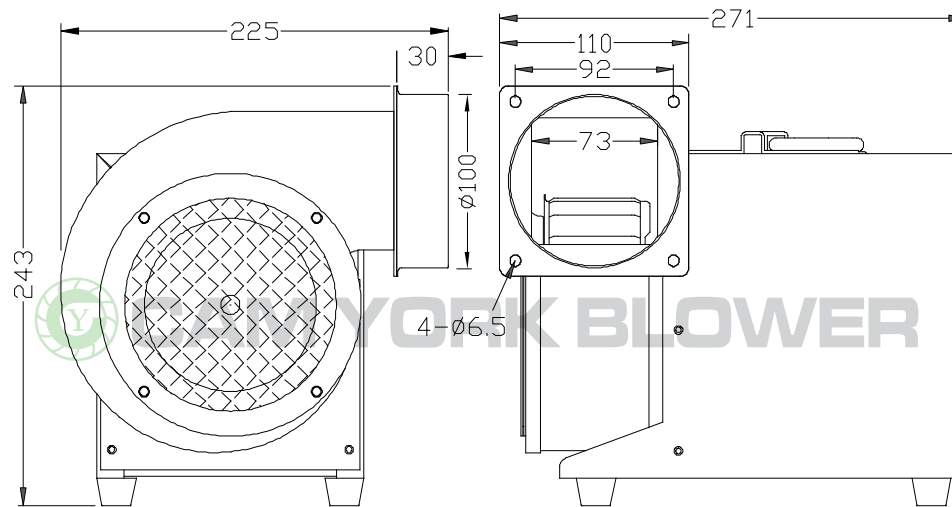


CYB120 Specification Sheet

- * Made In Taiwan
- * Insulation Cl. : F
- * Thermostat : Single Phase



Unit: mm



Model	Rated Voltage	Frequency	Phase	Pole	Current	Power	Speed	Max. Air Flow			Max. Pressure			Weight
	V							Hz	Ø	P	A	Watt/HP	R.P.M.	
CYB120	110/220	50	1	2	1.3 / 0.65	1/8 HP	2870	6.4	384	226	37	1.46	363	5.8
		60			1.3 / 0.65			3330	7.3	438	258	52	2.05	



CAM YORK INDUSTRIAL CO.,LTD.

No. 9, Ln. 308, Jinzhou Rd., Wufeng Dist., Taichung City
41350, Taiwan

TEL:04-23322627

FAX:04-23322629

E-mail: blower-cy@umail.hinet.net

http://www.blower.com.tw/