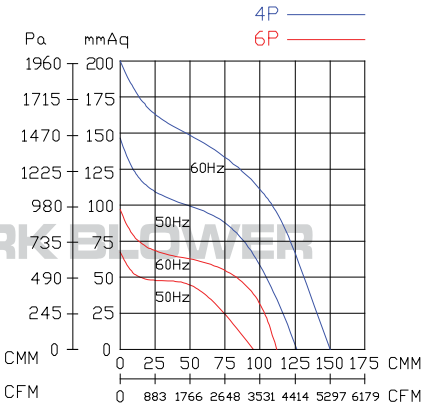
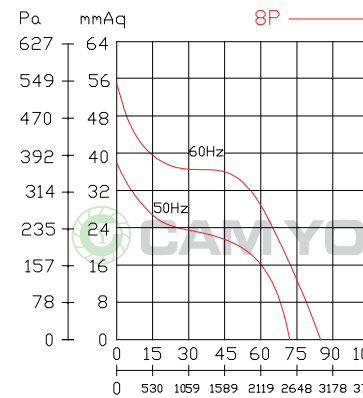
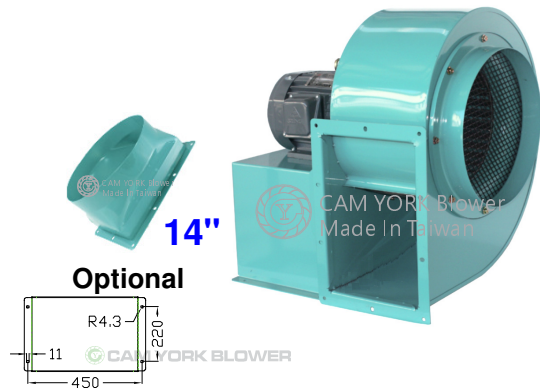


# CY380P Specification Sheet

\* Made In Taiwan  
\* Insulation Cl. : E / F

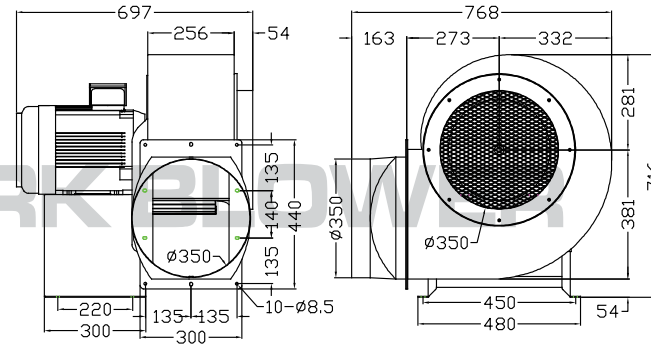
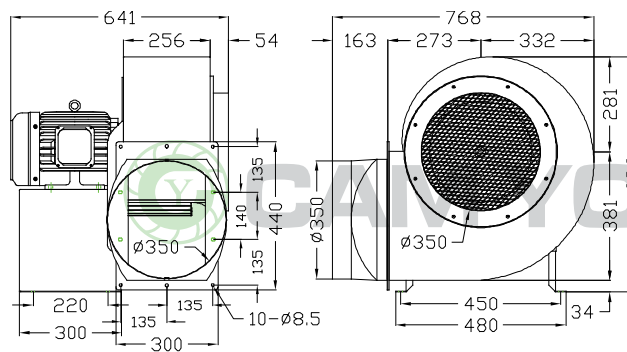


2HP,8Pole

3HP,6Pole

Unit: mm

7.5HP,4Pole



Model	Rated Voltage	Frequency	Phase	Pole	Current	Power	Speed	Max. Air Flow			Max. Pressure			Weight	
	V							Hz	Ø	P	A	Watt/HP	R.P.M.		CMM
CY380P	220/380	50	3	4	14.5 / 8.5	7.5 HP	1470	126	7560	4448	146	5.75	1432	85	
		60			20.7 / 12.5										1755
		50	3	6	7.1 / 4.1	3 HP	975	95	5700	3354	67	2.64	657		70
		60			9.1 / 5.1										
		50	3	8	7.3 / 4.1	2 HP	740	72	4320	2542	38	1.50	373		90
		60			6.5 / 3.7										



CAM YORK INDUSTRIAL CO.,LTD.

No. 9, Ln. 308, Jinzhou Rd., Wufeng Dist., Taichung City  
41350, Taiwan

TEL:04-23322627

FAX:04-23322629

E-mail: blower-cy@umail.hinet.net

http://www.blower.com.tw/