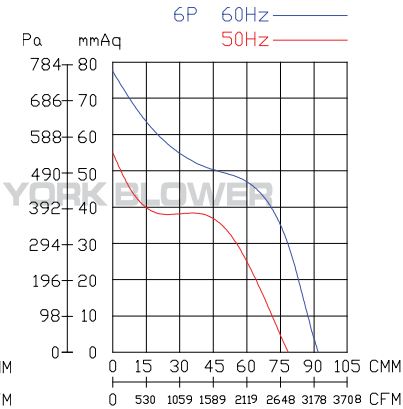
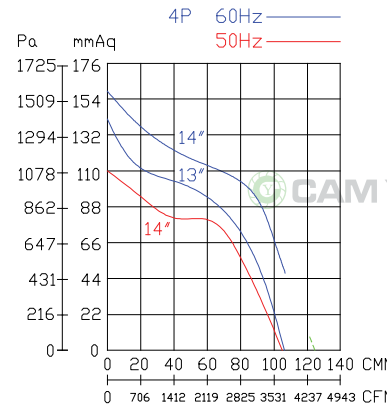


# CY350P Specification Sheet

\* Made In Taiwan  
\* Insulation Cl. : E / F

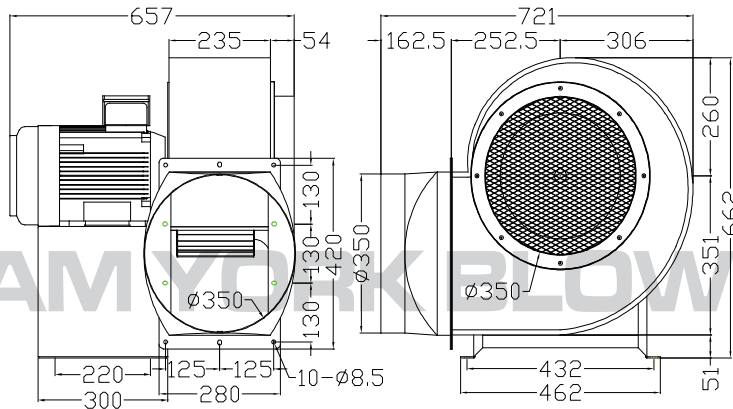
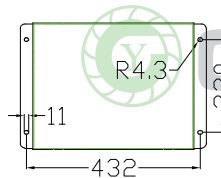


Optional



2HP,6Pole  
5HP,4Pole

Unit: mm



Model	Rated Voltage	Frequency	Phase	Pole	Current	Power	Speed	Max. Air Flow			Max. Pressure			Weight
	V							Hz	Ø	P	A	Watt/HP	R.P.M.	
CY350P	220/380	50	3	4	13 / 8	5 HP	1460	105	6300	3707	110	4.33	1079	75
		60			14.2 / 8.3	5HP-14"	1700	124	7440	4377	158	6.22	1550	
		60	13.2 / 7.6A	5HP-13"	1750	106	6360	3742	140	5.51	1373			
		50	6	6	6.2 / 3.6	2 HP	960	78	4680	2753	53	2.09	520	73
		60			7.2 / 4.1		1100	92	5520	3248	74	2.91	726	



CAM YORK INDUSTRIAL CO.,LTD.  
No. 9, Ln. 308, Jinzhou Rd., Wufeng Dist., Taichung City  
41350 , Taiwan

TEL:04-23322627  
FAX:04-23322629  
E-mail: blower-cy@umail.hinet.net  
http://www.blower.com.tw/