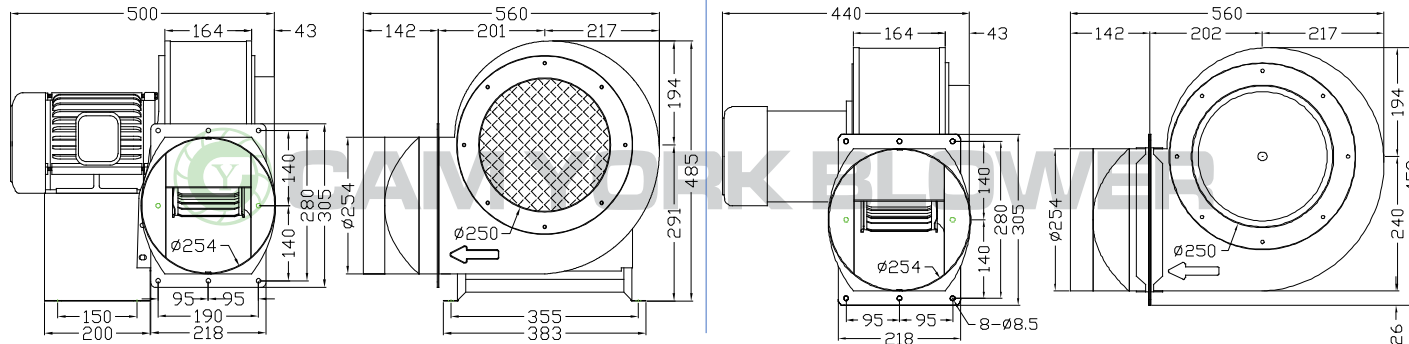
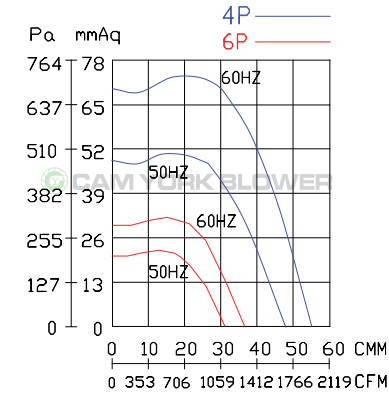
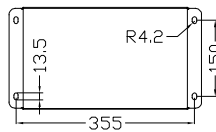


CY270P / CY270PV Specification Sheet

- * Made In Taiwan
- * Insulation Cl.: E / F
- * Inverter Ready: 3 Phase, F



Unit: mm



Model	Rated Voltage	Frequency	Phase	Pole	Current	Power	Speed	Max. Air Flow			Max. Pressure			Weight
	V							Hz	Ø	P	A	Watt/HP	R.P.M.	
CY270P	110/220	50	1	4	12.6 / 6.3	1 HP	1450	48	2880	1694	48	1.9	471	25
		60			15.6 / 7.8			55	3300	1942	68	2.7	667	
	220/380	50	3	3.2 / 1.9	48			2880	1694	48	1.89	471		
		60		4.0 / 2.3	55			3300	1942	68	2.68	667		
CY270PV	110/220	50	1	6	5.6 / 2.8	1/2 HP	960	31.2	1872	1101	20.5	0.8	201	21.7
		60			6 / 3.0			1130	36.5	2190	1288	30	1.2	



CAM YORK INDUSTRIAL CO.,LTD.

No. 9, Ln. 308, Jinzhou Rd., Wufeng Dist., Taichung City
41350, Taiwan

TEL:04-23322627

FAX:04-23322629

E-mail: blower-cy@umail.hinet.net

http://www.blower.com.tw/