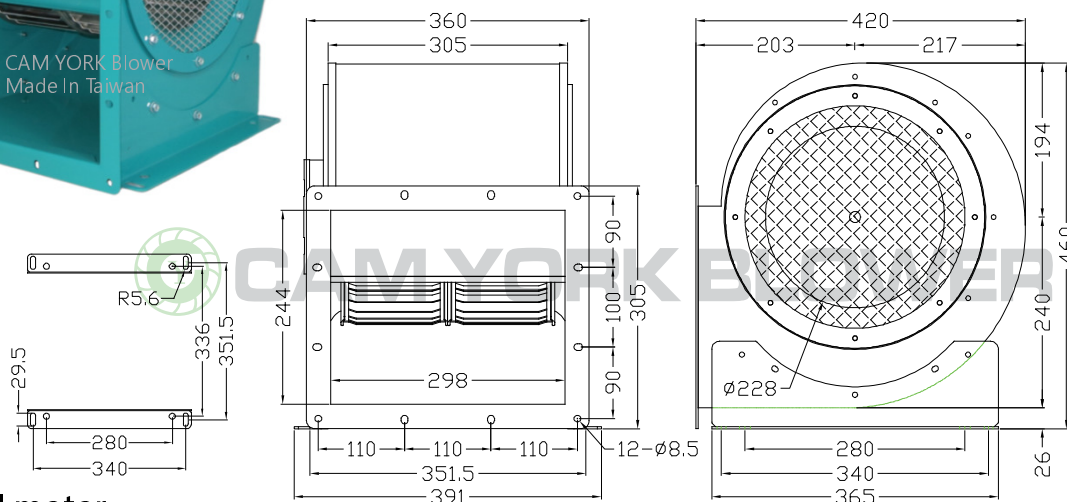


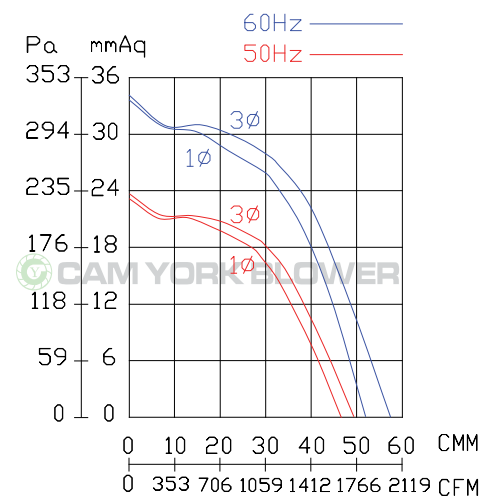
CY270DM Specification Sheet



Unit: mm



- * Made In Taiwan
- * Insulation Cl. : E / F
- * Thermostat: Single Phase
- * 3 Speed: Single Phase, Optional
- * Inverter Ready: 3 Phase, F



3 Speed motor

Model	Rated Voltage	Frequency	Phase	Pole	Current	Power	Speed	Max. Air Flow			Max. Pressure			Weight
	V							Hz	Ø	P	A	Watt/HP	R.P.M.	
CY270DM	110/220	50	1	6	5.5 / 2.4	3/4 HP	920	47	2820	1659	23	0.91	226	22
		60			6.8 / 3.2		1020	52	3120	1836	34	1.34	333	
	220/380	50	3	3.5 / 1.9	950		49	2940	1730	23	0.91	226		
		60		3 / 1.8	1100		57	3420	2012	34	1.34	333		



CAM YORK INDUSTRIAL CO.,LTD.

No. 9, Ln. 308, Jinzhou Rd., Wufeng Dist., Taichung City
41350, Taiwan

TEL:04-23322627

FAX:04-23322629

E-mail: blower-cy@umail.hinet.net

http://www.blower.com.tw/