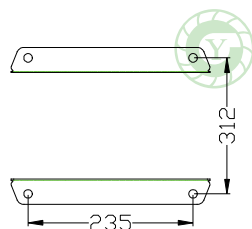
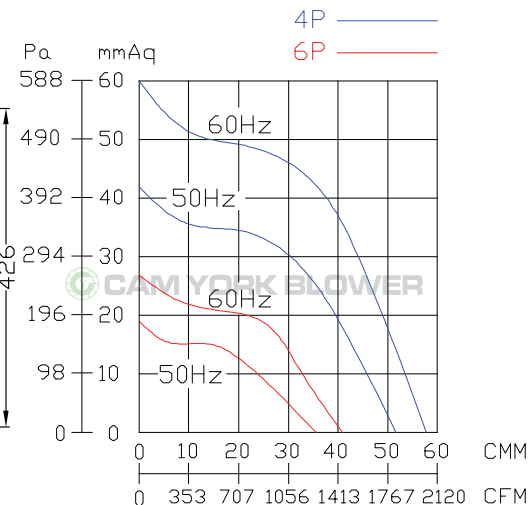
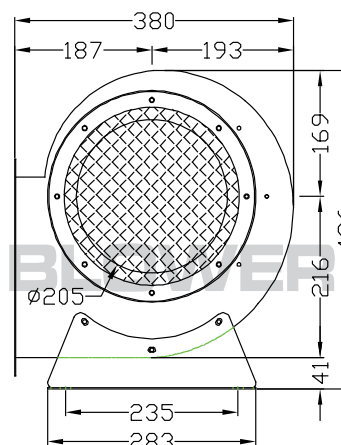
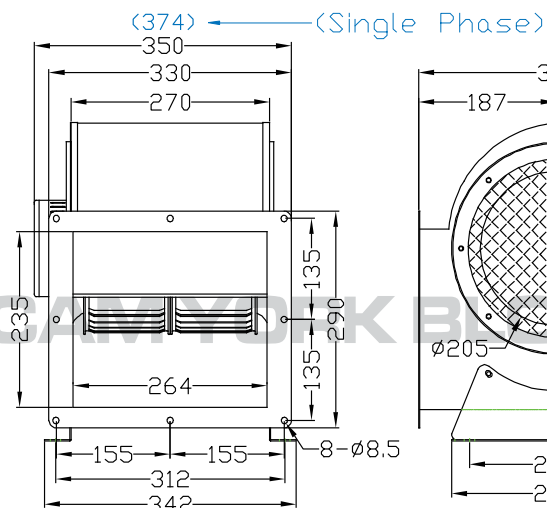


# CY230DM Specification Sheet

- \* Made In Taiwan
- \* Insulation Cl. : E / F
- \* Thermostat: Single Phase
- \* 3 Speed: Single Phase, Optional
- \* Inverter Ready: 3 Phase, F



Unit: mm



3 Speed motor

〈括號內為“單相”風車的尺寸〉

Model	Rated Voltage	Frequency	Phase	Pole	Current	Power	Speed	Max. Air Flow			Max. Pressure			Weight
	V							Hz	Ø	P	A	Watt/HP	R.P.M.	
CY230DM	220	50	1	4	3.7	550 W	1400	52	3120	1836	42	1.65	412	19
		60			5.5		1600	58	3480	2047	60	2.36	588	
	220/380	50	3	4	3 / 1.7		1400	52	3120	1836	42	1.65	412	15
		60			4 / 2.3		1600	58	3480	2047	60	2.36	588	
	110/220	50	1	6	3.3 / 1.7		900	36	2160	1271	19	0.75	186	14.2
		60			4.1 / 2.3		1100	41	2460	1447	27	1.06	265	



CAM YORK INDUSTRIAL CO.,LTD.

No. 9, Ln. 308, Jinzhou Rd., Wufeng Dist., Taichung City  
41350, Taiwan

TEL:04-23322627

FAX:04-23322629

E-mail: blower-cy@umail.hinet.net

http://www.blower.com.tw/