

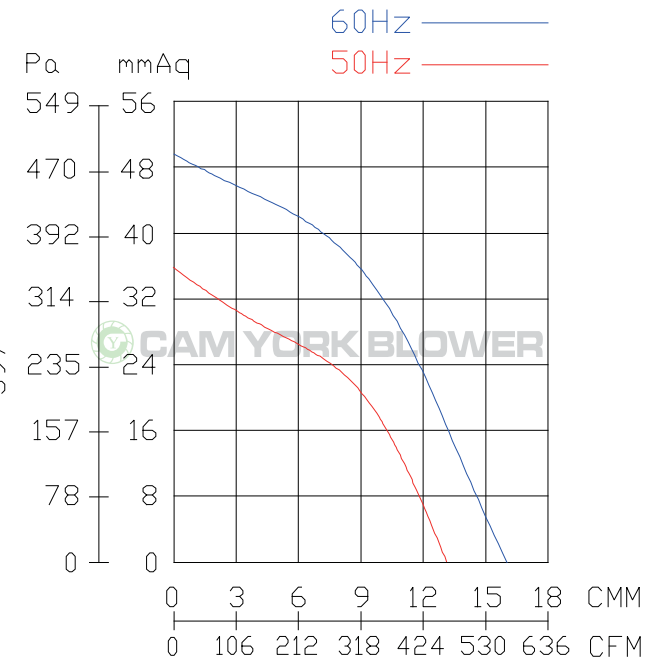
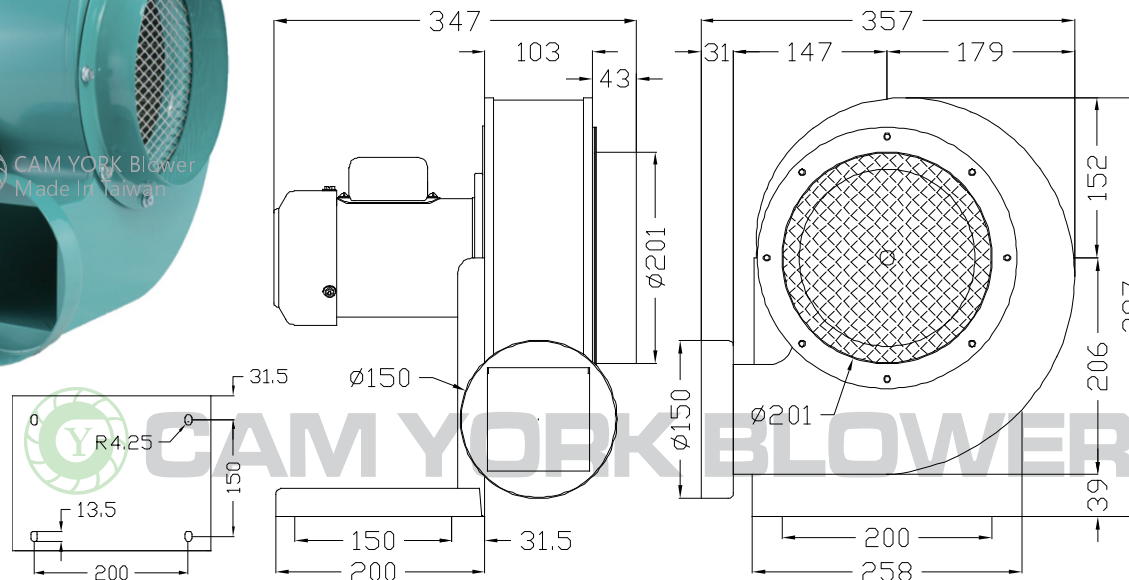
CY210P Specification Sheet

* Made In Taiwan
* Insulation Cl. : E



CAM YORK Blower
Made In Taiwan

Unit: mm



Model	Rated Voltage	Frequency	Phase	Pole	Current	Power	Speed	Max. Air Flow			Max. Pressure			Weight
	V							Hz	Ø	P	A	Watt/HP	R.P.M.	
CY210P	110/220	50	1	4	3 / 1.5	1/4 HP	1460	13.7	822	484	34.5	1.36	338	13.3
		60			3 / 1.5			1710	16.3	978	575	50.8	2.00	



CAM YORK INDUSTRIAL CO.,LTD.

No. 9, Ln. 308, Jinzhou Rd., Wufeng Dist., Taichung City
41350, Taiwan

TEL:04-23322627

FAX:04-23322629

E-mail: blower-cy@umail.hinet.net

<http://www.blower.com.tw/>