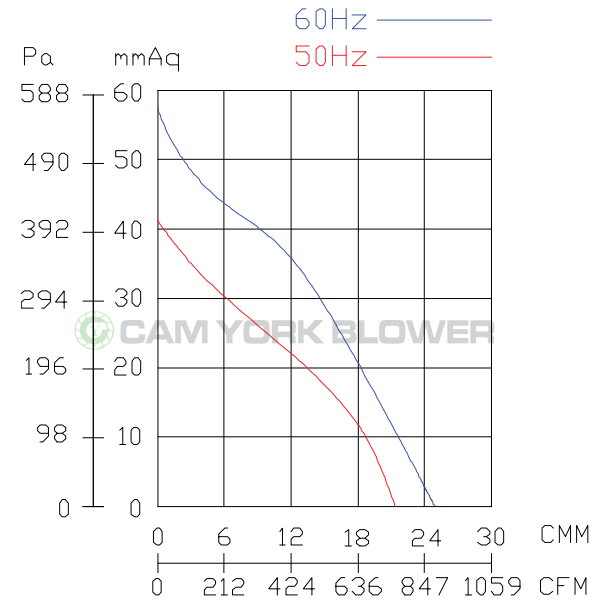
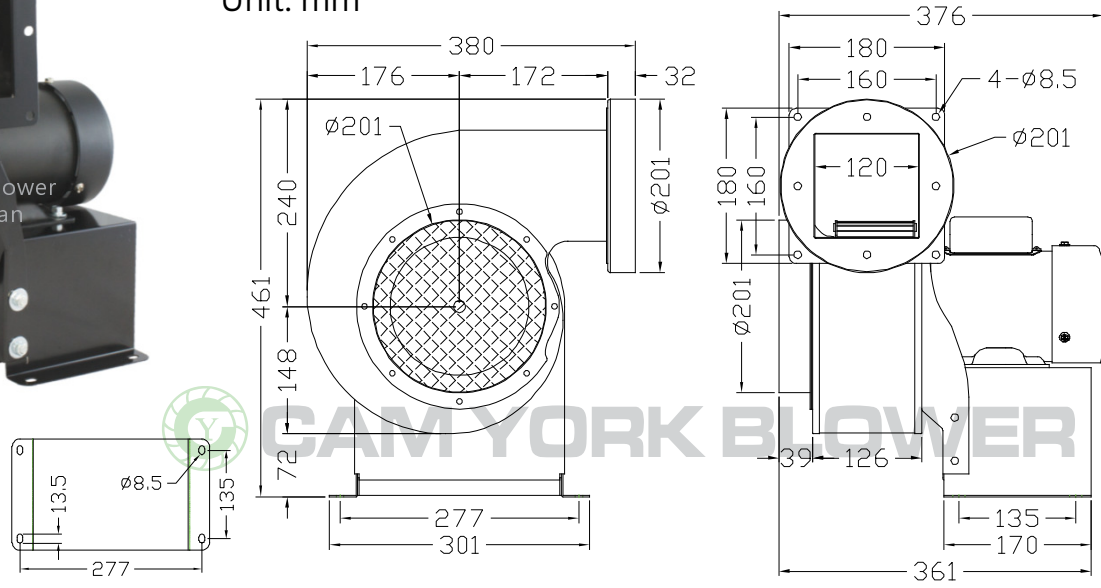


# CY200P Specification Sheet

\* Made In Taiwan  
\* Insulation Cl. : E



Unit: mm



Model	Rated Voltage	Frequency	Phase	Pole	Current	Power	Speed	Max. Air Flow			Max. Pressure			Weight
	V							Hz	Ø	P	A	Watt/HP	R.P.M.	
CY200P	110/220	50	1	4	4 / 2	1/3 HP	1470	21.3	1278	752	41	1.61	402	14.5
		60			4 / 2						1740	24.7	1482	



**CAM YORK INDUSTRIAL CO.,LTD.**  
No. 9, Ln. 308, Jinzhou Rd., Wufeng Dist., Taichung City  
41350 , Taiwan

TEL:04-23322627  
FAX:04-23322629  
E-mail: blower-cy@umail.hinet.net  
<http://www.blower.com.tw/>