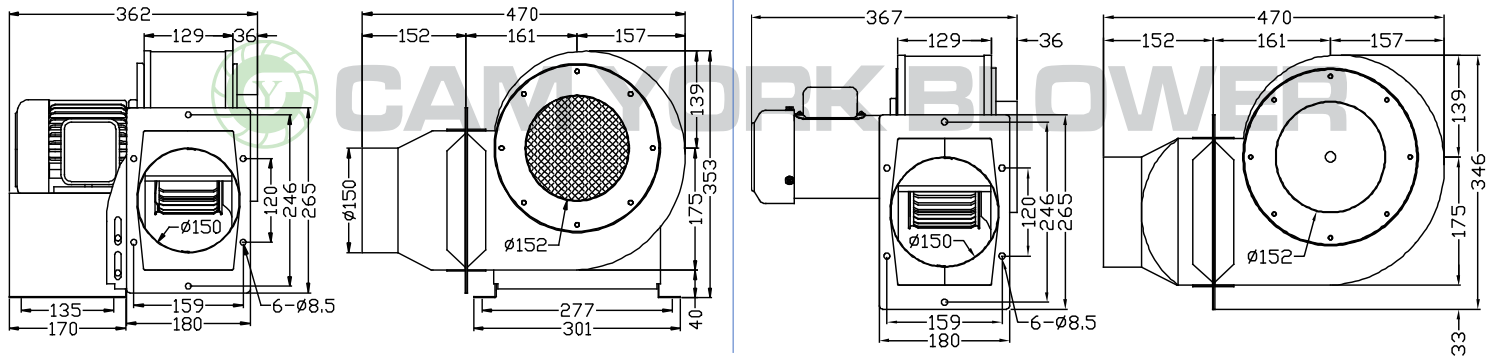
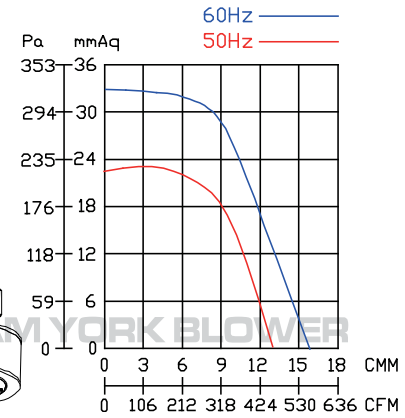


CY190P / CY190PV Specification Sheet

* Made In Taiwan
* Insulation Cl. : E



Model	Rated Voltage	Frequency	Phase	Pole	Current	Power	Speed	Max. Air Flow			Max. Pressure			Weight									
	V							Hz	Ø	P	A	Watt/HP	R.P.M.		CMM	CMH	CFM	mmAq	inchAq	Pa	KG		
CY190P	110/220	50	1	4	2.7 / 1.4	1/4 HP	1460	12.5	750	441	23.3	0.92	229	16.5									
		60			2.5 / 1.3										1720	15.3	918	540	33.5	1.32	329		
CY190PV	220/380	50	3	4	1 / 0.6										1/4 HP	1460	12.5	750	441	23.3	0.92	229	12.4
		60			1 / 0.6																		



CAM YORK INDUSTRIAL CO.,LTD.

No. 9, Ln. 308, Jinzhou Rd., Wufeng Dist., Taichung City
41350, Taiwan

TEL:04-23322627
FAX:04-23322629
E-mail: blower-cy@umail.hinet.net
http://www.blower.com.tw/