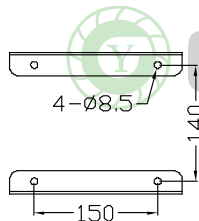
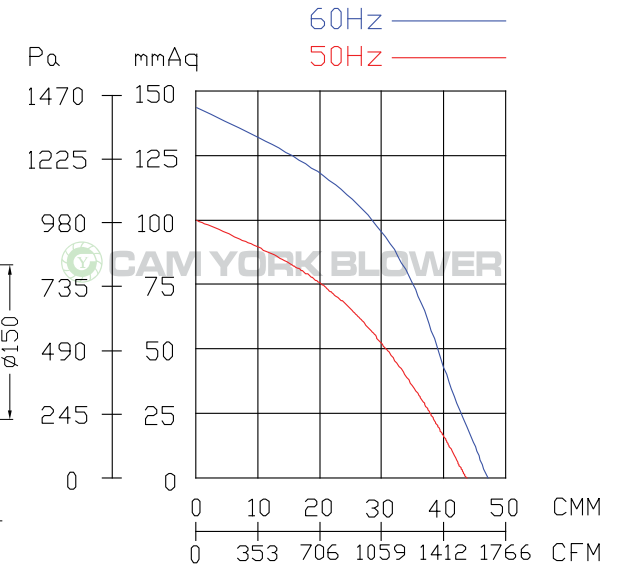
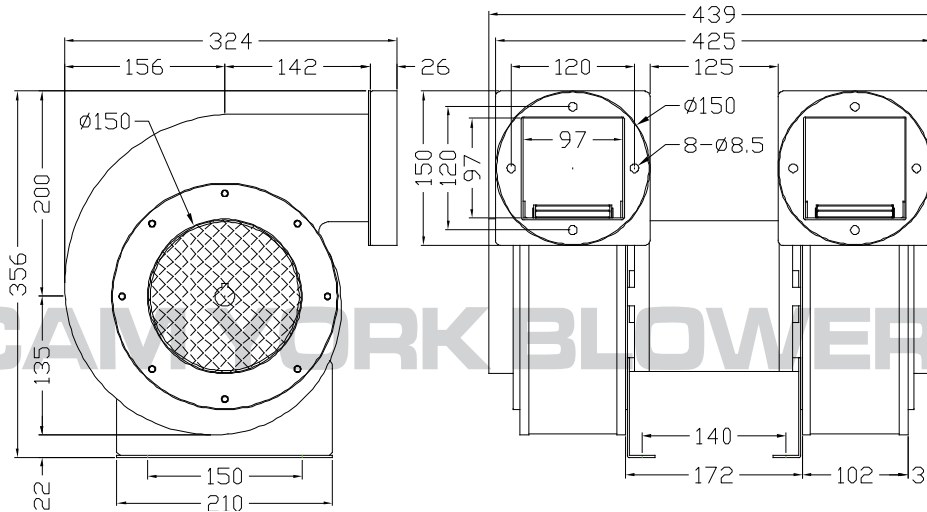


CY180M Specification Sheet

- * Made In Taiwan
- * Insulation Cl. : F
- * Inverter: Ready



Unit: mm



Model	Rated Voltage	Frequency	Phase	Pole	Current	Power	Speed	Max. Air Flow			Max. Pressure			Weight
	V							Hz	Ø	P	A	Watt/HP	R.P.M.	
CY180M	220/380	50	3	2	4.4 / 2.5	1.5 HP	2900	43	2580	1518	100	3.94	981	19
		60			6.0 / 3.5			3300	48.7	2922	1719	143	5.63	



CAM YORK INDUSTRIAL CO.,LTD.

No. 9, Ln. 308, Jinzhou Rd., Wufeng Dist., Taichung City
41350 , Taiwan

TEL:04-23322627

FAX:04-23322629

E-mail: blower-cy@umail.hinet.net

http://www.blower.com.tw/