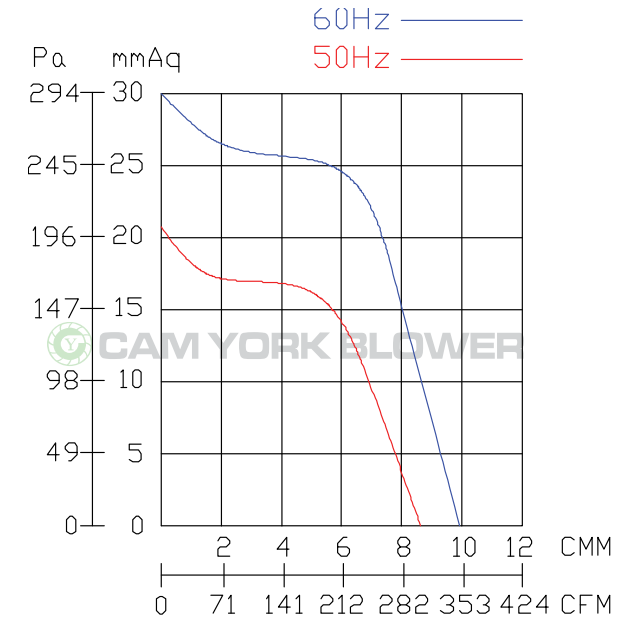
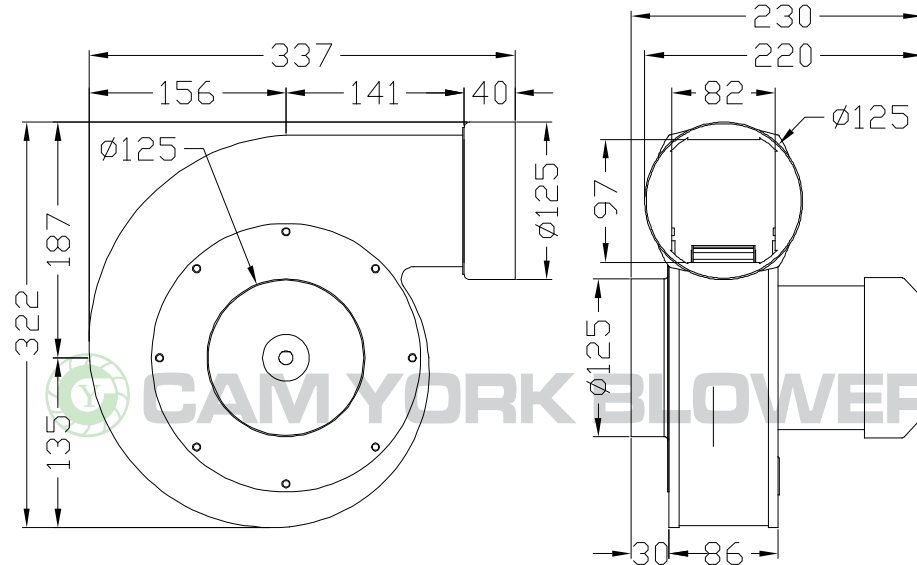


CY180AK Specification Sheet

* Made In Taiwan
* Insulation Cl. : E

Unit: mm



Model	Rated Voltage	Frequency	Phase	Pole	Current	Power	Speed	Max. Air Flow			Max. Pressure			Weight
	V							Hz	Ø	P	A	Watt/HP	R.P.M.	
CY180AK	110	50	1	4	1.7	90 W	1420	8.4	504	297	21	0.83	206	6.5
		60			1.6			1650	9.8	588	346	30.3	1.19	



CAM YORK INDUSTRIAL CO.,LTD.

No. 9, Ln. 308, Jinzhou Rd., Wufeng Dist., Taichung City
41350 , Taiwan

TEL:04-23322627

FAX:04-23322629

E-mail: blower-cy@umail.hinet.net

http://www.blower.com.tw/