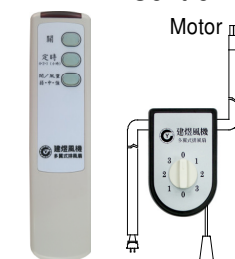


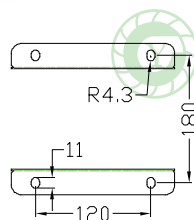
# CY178DM Specification Sheet



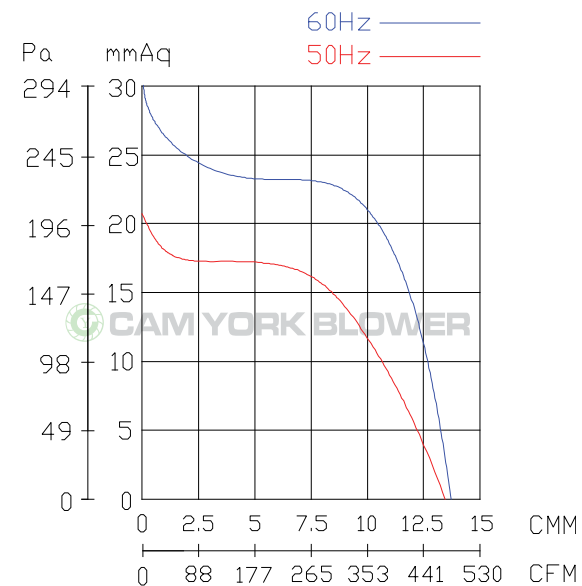
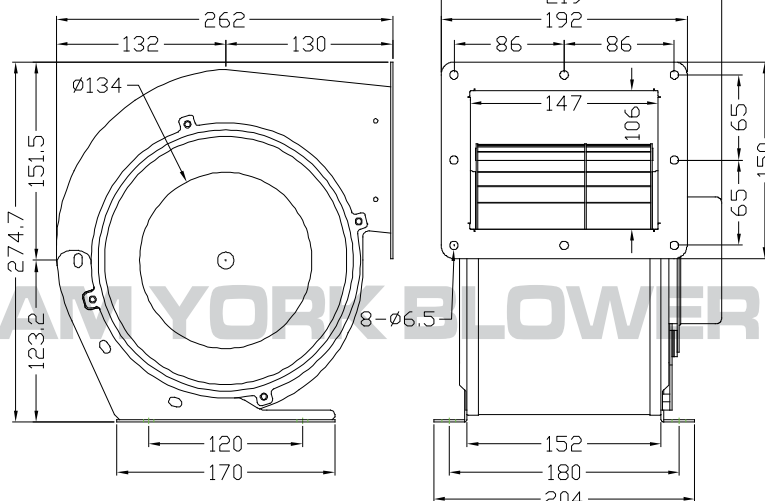
Remote Control  
3 Speed Control



Optional



Unit: mm



## 3 Speed motor / Remote Control

| Model   | Rated Voltage | Frequency | Phase | Pole | Current   | Power | Speed | Max. Air Flow |     |     | Max. Pressure |         |        | Weight |
|---------|---------------|-----------|-------|------|-----------|-------|-------|---------------|-----|-----|---------------|---------|--------|--------|
|         | V             |           |       |      |           |       |       | Hz            | Ø   | P   | A             | Watt/HP | R.P.M. |        |
| CY178DM | 110/220       | 50        | 1     | 4    | 1.3 / 0.7 | 75 W  | 1150  | 13.4          | 804 | 473 | 21.4          | 0.84    | 210    | 5.3    |
|         |               | 60        |       |      | 1.6 / 0.8 |       | 1170  | 13.6          | 816 | 480 | 30            | 1.18    | 294    |        |



CAM YORK INDUSTRIAL CO.,LTD.

No. 9, Ln. 308, Jinzhou Rd., Wufeng Dist., Taichung City  
41350, Taiwan

TEL:04-23322627

FAX:04-23322629

E-mail: blower-cy@umail.hinet.net

http://www.blower.com.tw/