

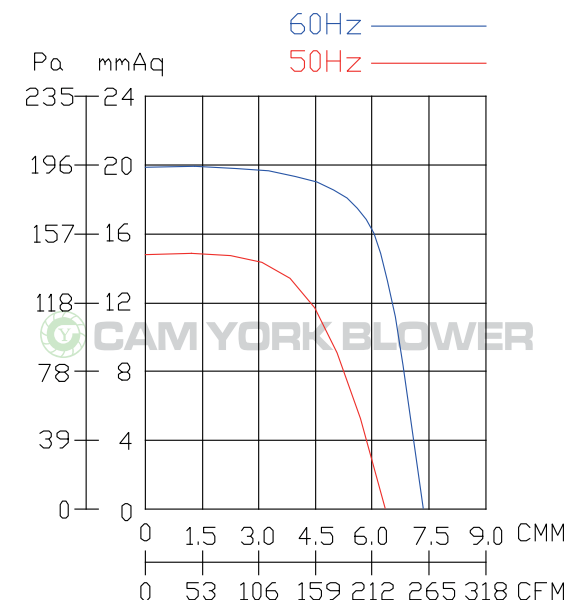
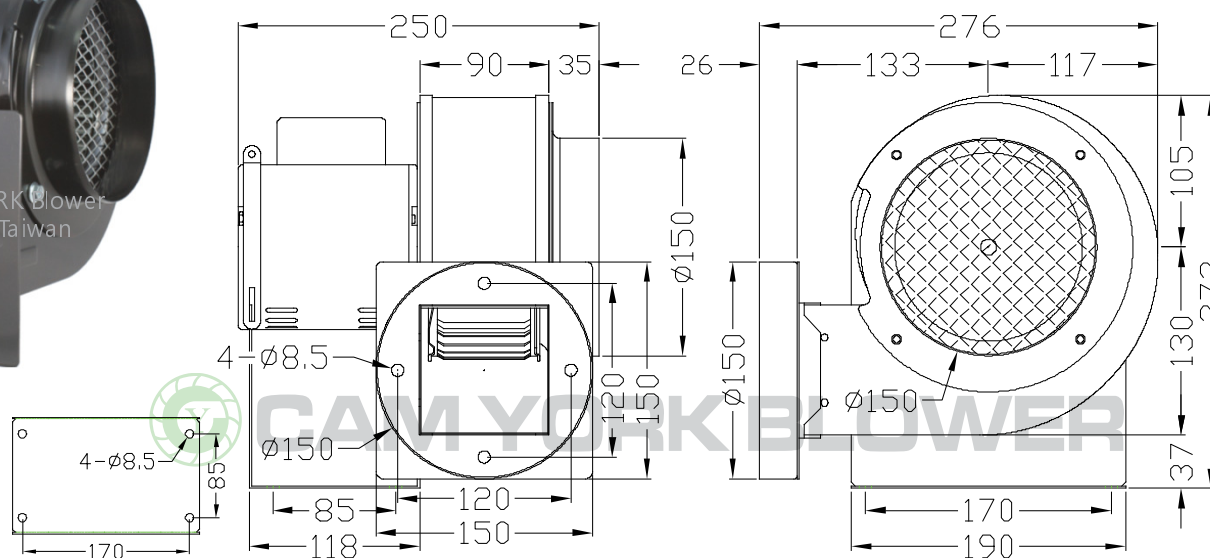
CY150P Specification Sheet

* Made In Taiwan
* Insulation Cl. : E



6"

Unit: mm



Model	Rated Voltage	Frequency	Phase	Pole	Current	Power	Speed	Max. Air Flow			Max. Pressure			Weight
	V							Hz	Ø	P	A	Watt/HP	R.P.M.	
CY150P	110/220	50	1	4	1.5 / 0.8	1/10HP	1450	6.2	372	219	14.5	0.57	142	6.2
		60			1.2 / 0.6		1720	7.4	444	261	20	0.79	196	



CAM YORK INDUSTRIAL CO.,LTD.

No. 9, Ln. 308, Jinzhou Rd., Wufeng Dist., Taichung City
41350, Taiwan

TEL:04-23322627

FAX:04-23322629

E-mail: blower-cy@umail.hinet.net

http://www.blower.com.tw/