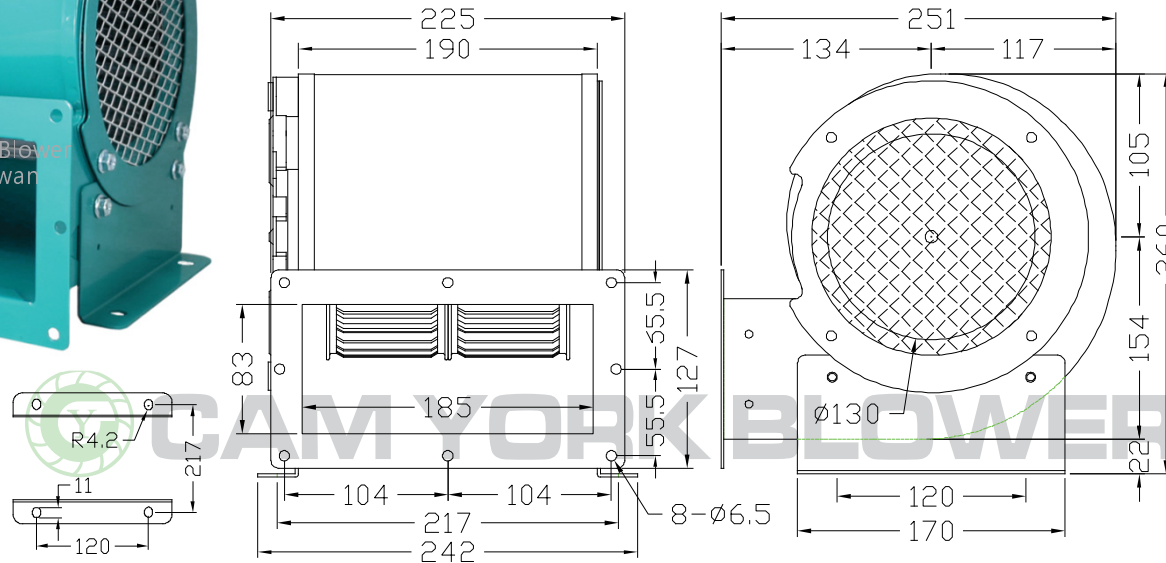


# CY150DM Specification Sheet

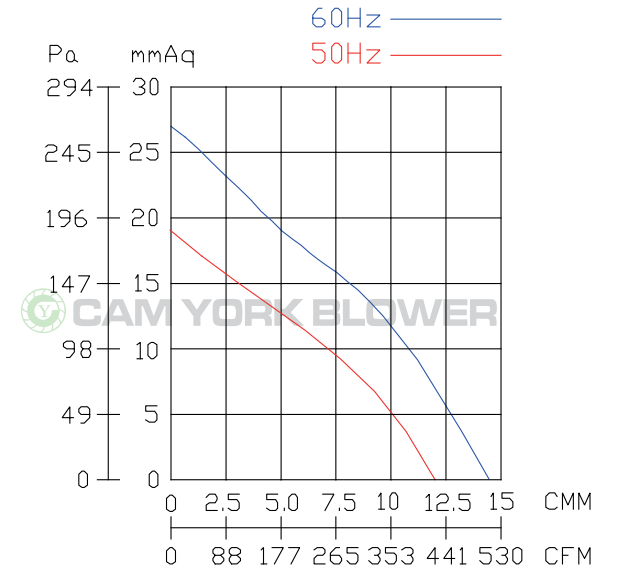


CAM YORK Blower  
Made In Taiwan

Unit: mm



- \* Made In Taiwan
- \* Insulation Cl. : E
- \* Thermostat: Ready



Model	Rated Voltage	Frequency	Phase	Pole	Current	Power	Speed	Max. Air Flow			Max. Pressure			Weight
	V							Hz	Ø	P	A	Watt/HP	R.P.M.	
CY150DM	110/220	50	1	4	1.6 / 0.8	110 W	1400	12	720	424	19	0.75	186	5.5
		60			1.5 / 0.8			1600	14.4	864	508	27	1.06	



CAM YORK INDUSTRIAL CO.,LTD.

No. 9, Ln. 308, Jinzhou Rd., Wufeng Dist., Taichung City  
41350, Taiwan

TEL:04-23322627

FAX:04-23322629

E-mail: blower-cy@umail.hinet.net

http://www.blower.com.tw/