

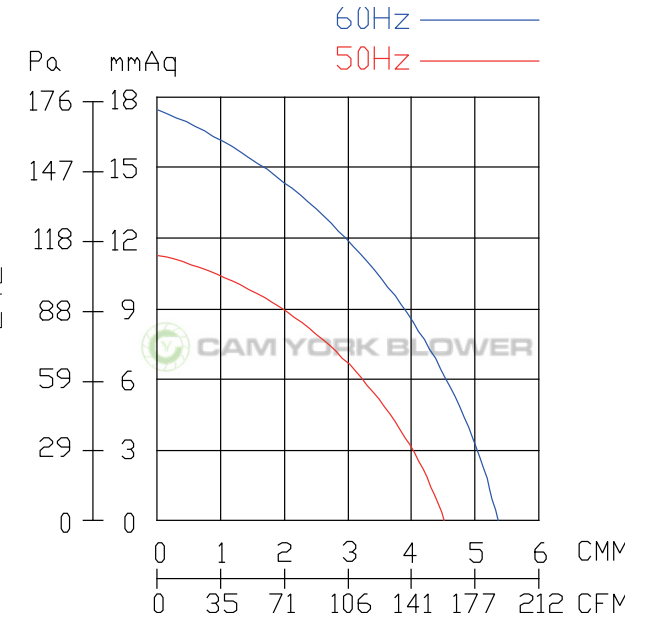
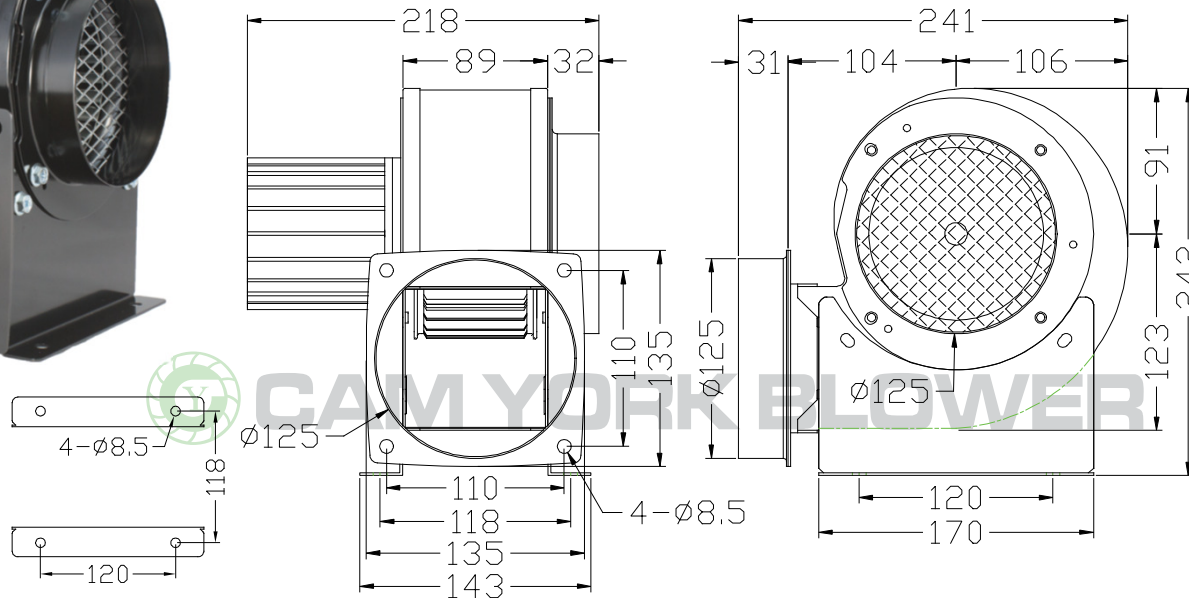
CY125P Specification Sheet

* Made In Taiwan
* Insulation Cl. : E



5"

Unit: mm



Model	Rated Voltage	Frequency	Phase	Pole	Current	Power	Speed	Max. Air Flow			Max. Pressure			Weight
	V							Hz	Ø	P	A	Watt/HP	R.P.M.	
CY125P	110/220	50	1	4	0.7 / 0.3	30 W	1400	4.5	270	159	11.1	0.44	109	6.1
		60			0.6 / 0.3									



CAM YORK INDUSTRIAL CO.,LTD.

No. 9, Ln. 308, Jinzhou Rd., Wufeng Dist., Taichung City
41350 , Taiwan

TEL:04-23322627

FAX:04-23322629

E-mail: blower-cy@umail.hinet.net

<http://www.blower.com.tw/>