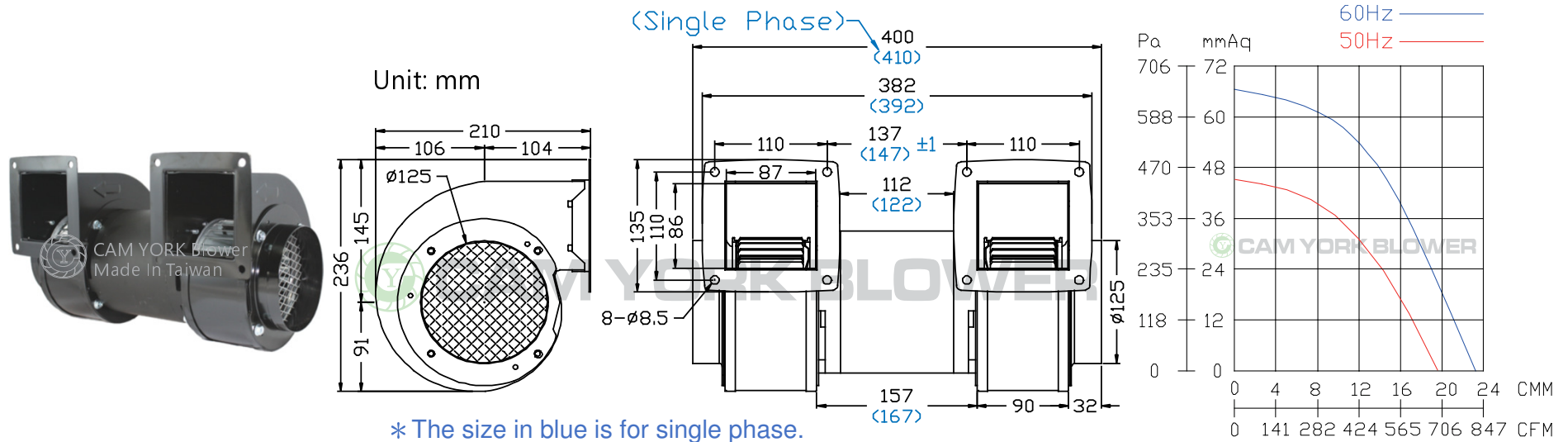


# CY125M Specification Sheet

- \* Made In Taiwan
- \* Insulation Cl. : E, F
- \* 3 phase: Inverter Ready , F



Model	Rated Voltage	Frequency	Phase	Pole	Current	Power	Speed	Max. Air Flow			Max. Pressure			Weight							
	V							Hz	Ø	P	A	Watt/HP	R.P.M.		CMM	CMH	CFM	mmAq	inchAq	Pa	KG
CY125M	110/220	50	1	2	4 / 2	1/2 HP	2930	19	1140	671	46	1.81	451	12.6							
		60			5.0 / 2.5										3470	23.2	1392	819	66.5	2.62	652
	220/380	50	3	2 / 1	2930										19	1140	671	46	1.81	451	11.6
		60		2 / 1																	



CAM YORK INDUSTRIAL CO.,LTD.

No. 9, Ln. 308, Jinzhou Rd., Wufeng Dist., Taichung City  
41350 , Taiwan

TEL:04-23322627  
FAX:04-23322629  
E-mail: blower-cy@umail.hinet.net  
<http://www.blower.com.tw/>