

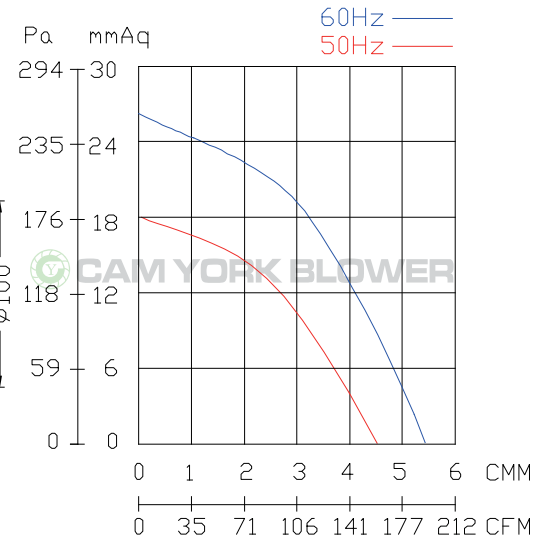
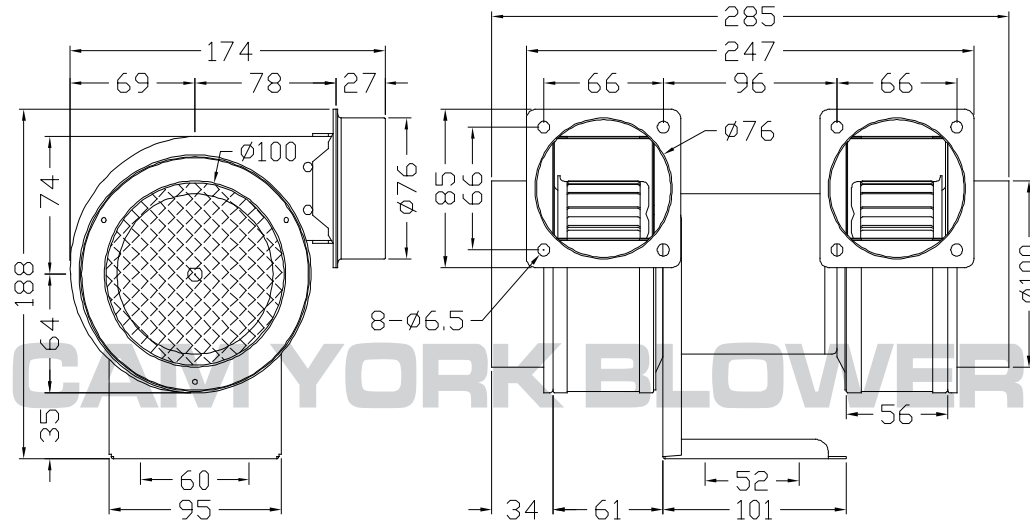
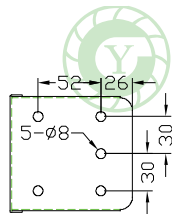
CY100M Specification Sheet

- * Made In Taiwan
- * Insulation Cl. : E
- * Thermostat: Ready

Unit: mm



3"



Model	Rated Voltage	Frequency	Phase	Pole	Current	Power	Speed	Max. Air Flow			Max. Pressure			Weight
	V							Hz	Ø	P	A	Watt/HP	R.P.M.	
CY100M	110/220	50	1	2	0.72 / 0.38	50 W	2840	4.4	264	155	18	0.71	177	3.3
		60			0.72 / 0.38		3250	5.4	324	191	26	1.02	255	



CAM YORK INDUSTRIAL CO.,LTD.

No. 9, Ln. 308, Jinzhou Rd., Wufeng Dist., Taichung City
41350, Taiwan

TEL:04-23322627

FAX:04-23322629

E-mail: blower-cy@umail.hinet.net

<http://www.blower.com.tw/>